

## WATER-TIGHT SWITCH 16 A, 250 V, IP 67

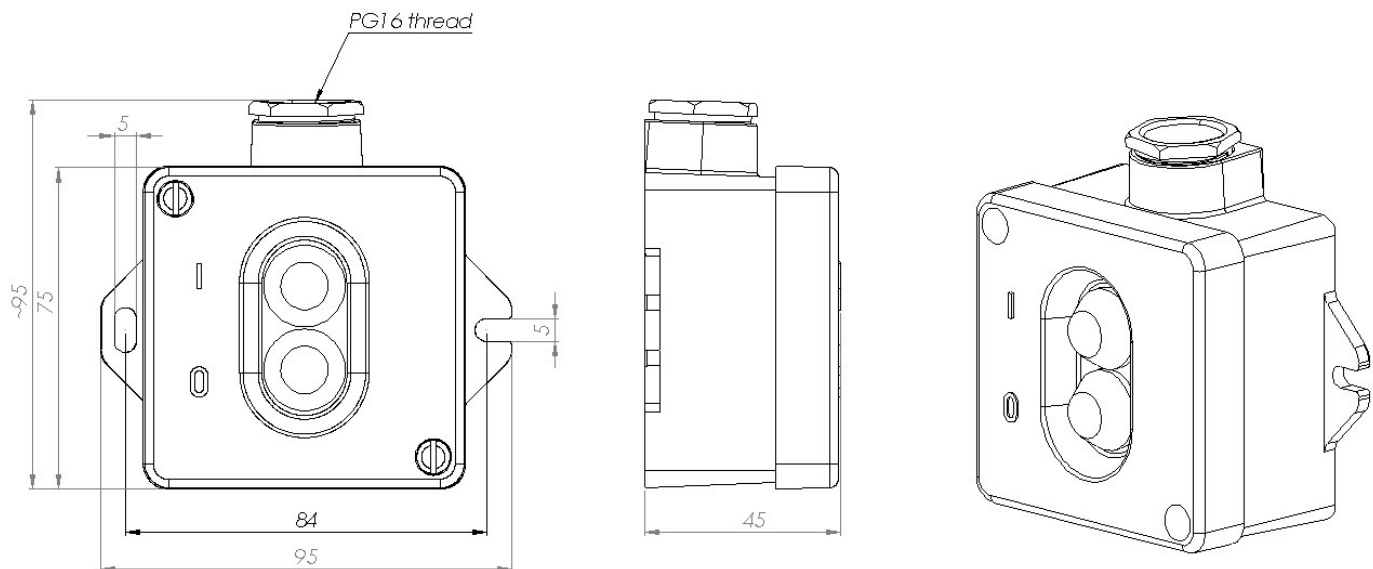
### Model series 519

Water-tight rubber pushbuttons. Aluminium cable gland seals PG 16, cable Ø 11 mm. Marine models with acid-resistant cover screws and nitrile rubber seals.

- Die-cast aluminium enclosure
- Rubber buttons, IP67
- Aluminum cable gland seals PG 16, cable Ø 11
- The pushbutton is protected against external impacts.
- Acid-resistant steel cover screws, (grey model and brown marine model)
- Available as grey (Ral7035), brown or uncoated (aluminium)
- RAL-7035 color series products meet the highest UV protection and corrosion protection class requirements. All 7035 products are equipped with acid-resistant cover screws and oil-resistant gaskets.
- Change over / 1-pole (6/1) or 2-pole versions
- Screw contact
- CE-certified according to EN 60669-1

List of versions: <https://www.selcast.fi/en/products/9/26>

### Dimensions



We reserve the right to make technical and design changes to the product

OSOITE	ADDRESS	PUHELIN/PHONE	TELEFAX	E-MAIL	KOTIPAIKKA	Y-TUNNUS
Kilantie 19	Kilantie 19	019-278 5800	019-278 5811	selcast@selcast.fi	REGISTRED	0728634-7
PL 36	BOX 36	+ 358 19 278 5800	+ 358 19 278 5811	Homepage	Karjaa	VAT-NUMBER
10301 Karjaa	FI-10301 Karjaa			www.selcast.fi		FI07286347