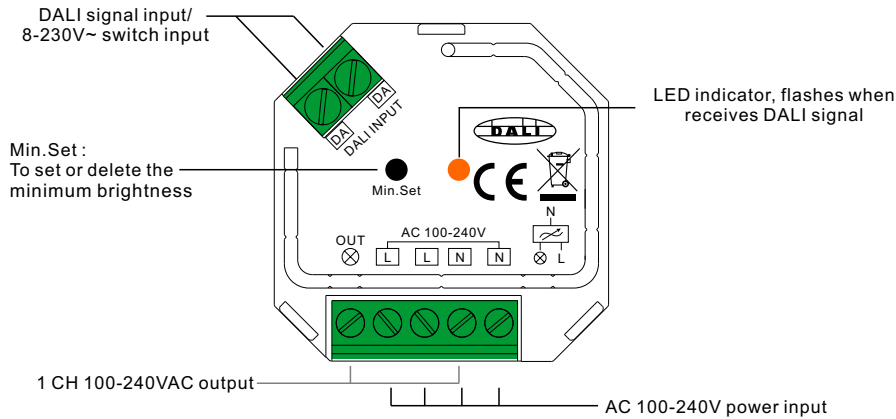


**Important:** Read All Instructions Prior to Installation

## Function introduction



## Product Data

Input Voltage	Output Voltage	Output Current	DALI Consumption	Size(LxWxH)
100-240VAC	100-240VAC	1.5A max	2mA max	45.5x45x20.3mm

Compatible Load Types			
Load Symbol	Load Type	Maximum Load	Remarks
	Dimmable LED lamps	200W @ 220V 100W @ 110V	Due to variety of LED lamp designs, maximum number of LED lamps is further dependent on power factor result when connected to dimmer.
	Dimmable LED drivers	200W @ 220V 100W @ 110V	Maximum permitted number of drivers is 200W divided by driver nameplate power rating.
	Incandescent lighting, HV Halogen lamps	400W @ 220V 200W @ 110V	
	Low voltage halogen lighting with electronic transformers	200W @ 220V 100W @ 110V	

- AC phase cut dimmer with both DALI and push switch control interface
- 100-240VAC Wide Input and Output Voltage,
- 1 DALI address to control 1 Channel Output, Up to 400W
- Input and Output with Screw Terminals, Safe and Reliable
- Trailing edge dimming, supports resistive loads and capacitive loads
- Innovative minimum brightness setting function
- Single Wire Push Switch Input for Push Dim Function

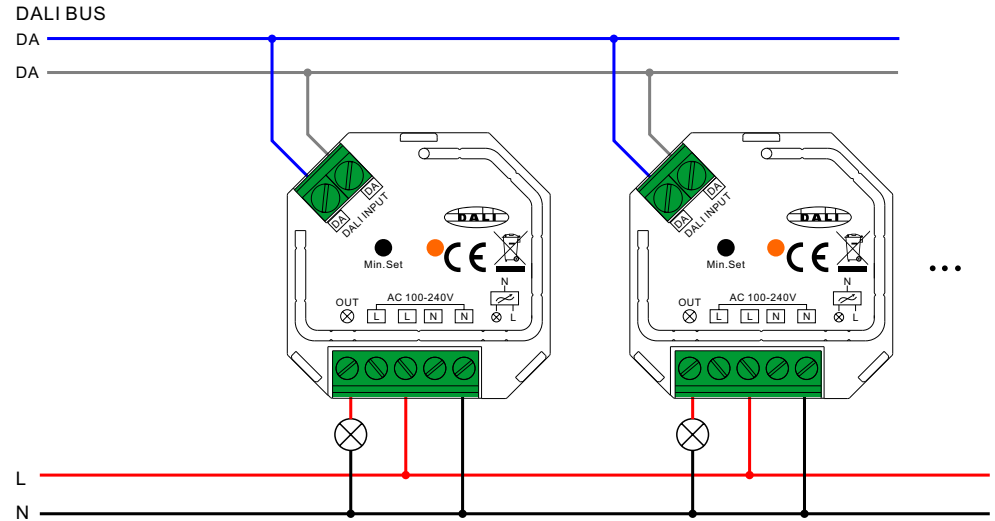
- Great Compatibility with Universal 8V-230V~ Input Push Switches
- Complies to DALI standards IEC 62386-102, IEC 62386-207
- Compatible with universal DALI systems and master controllers in the market
- To dim and switch single color dimmable LED lamps, traditional incandescent and halogen lights
- Mini Size, Easy to be Installed into a standard 86\*86mm wall box
- Waterproof grade: IP20

## Safety & Warnings

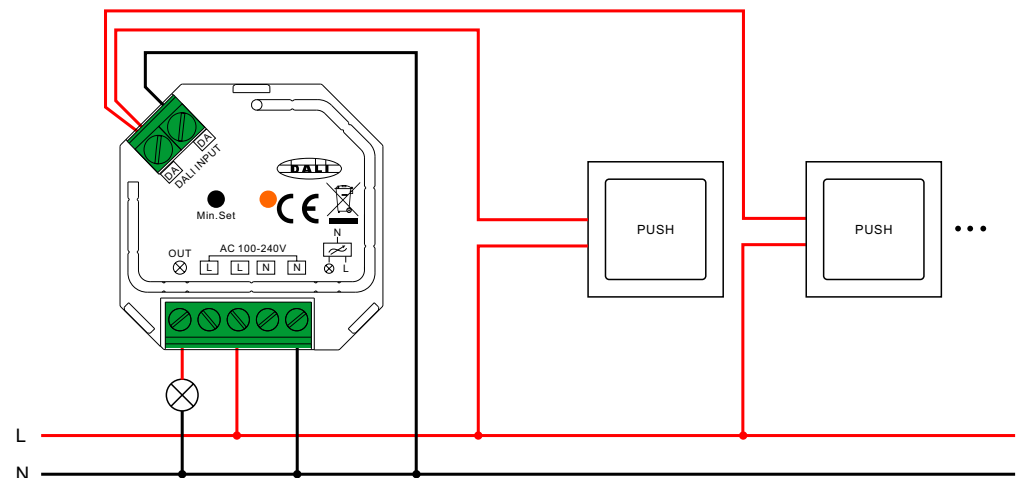
- DO NOT install with power applied to device.
- DO NOT expose the device to moisture.

## Wiring diagram

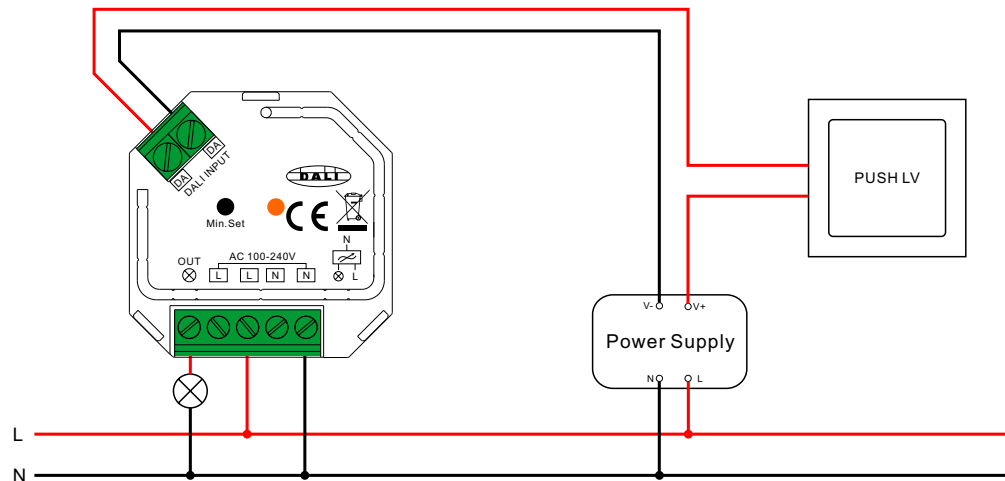
(1)With DALI Signal



(2)With AC Push Switch



(3)With Push LV



This phase dimmer adopts trailing edge dimming (reverse phase control), please make sure the connected loads support reverse phase control. Please refer to the user manual of the load or consult the supplier of the load.

## Operation

### Setting DALI Address:

1 DALI addresses for 1 channel output is assigned by DALI Master controller automatically, please refer to user manuals of compatible DALI Masters for specific operations.

### Setting minimum brightness:

Adjust brightness to a level, then press and hold down "Min. Set" key on the dimmer until the light flashes, once set a minimum brightness, the light can only be dimmable between this minimum brightness and maximum brightness.

The dimming range of this dimmer is 1%-100%, but some load types may flicker when dimmed to 1%, thus a minimum brightness shall be set higher than 1% to avoid flickering during dimming process.

### Delete the minimum brightness:

Adjust the brightness to maximum level, then click "Min. Set" key on the dimmer to delete the minimum brightness, the light will flash to indicate successful reset.

### PUSH DIM:

While connected with PUSH switch, click the button to switch ON/OFF lights. Press and hold down the button to increase/decrease light intensity.