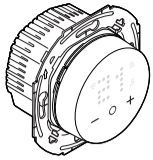
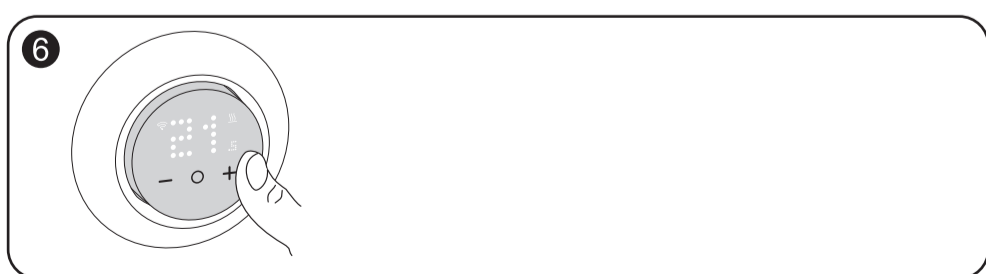
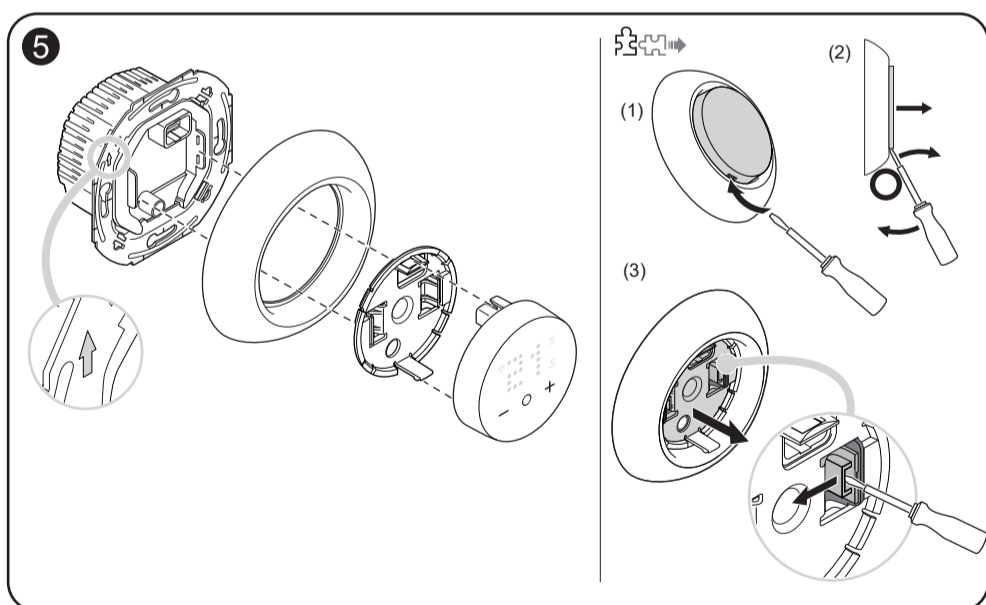
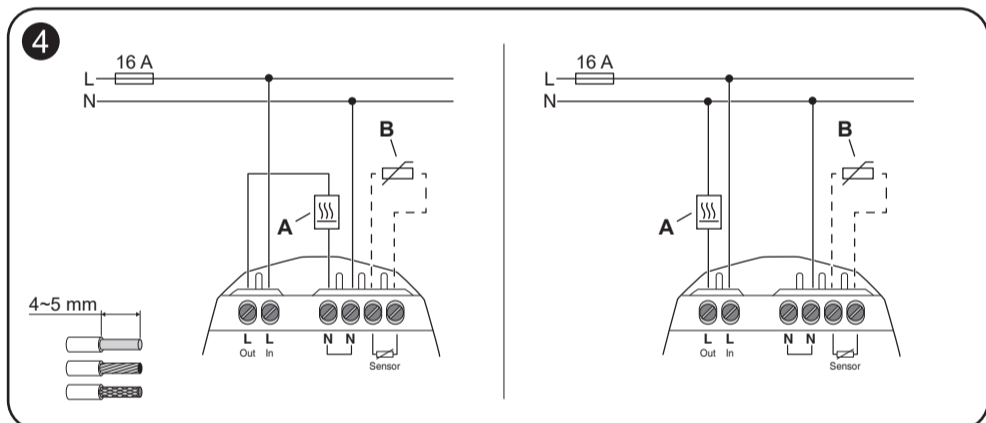
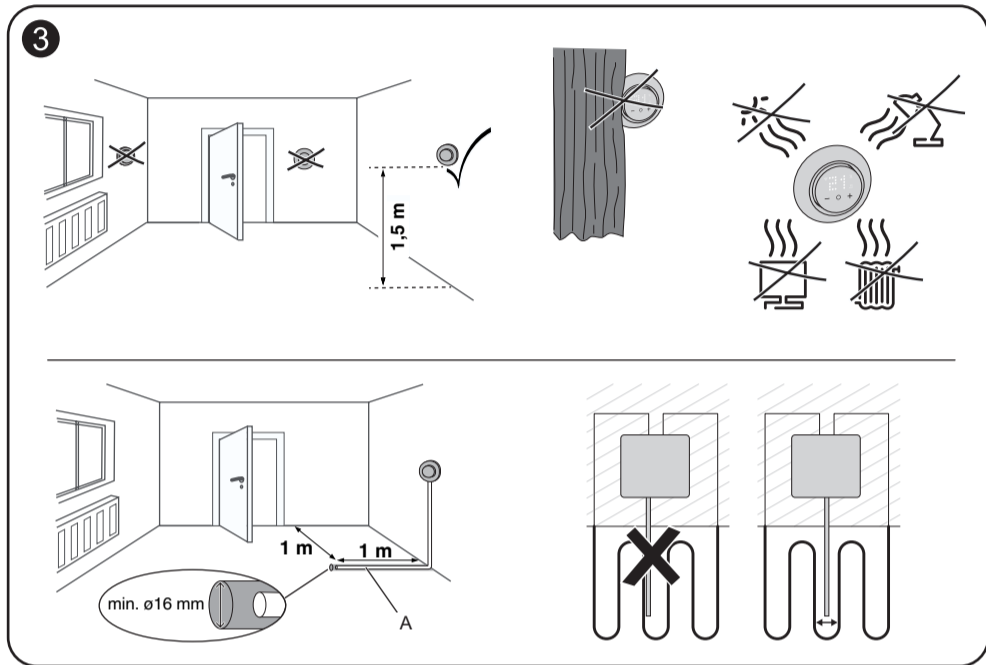
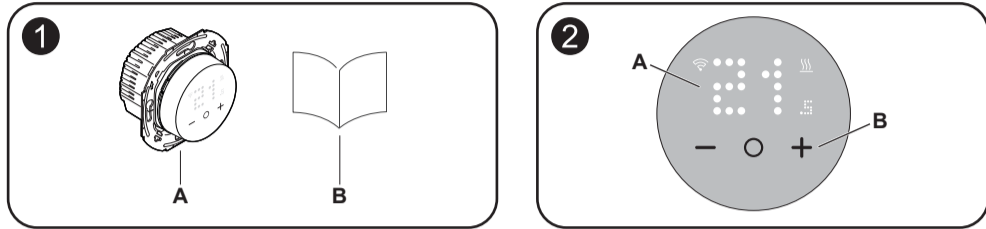


Renova



WDE01168x

Wiser™



About this product

The Connected Thermostat Room/Floor 16 A (hereinafter referred to as **thermostat**) is mainly used for electric underfloor heating or electric radiators, but could also be used to control mains powered motorized valves or circulating pumps for water-based heating.

The thermostat can operate stand-alone with a limited range of features. For the full range of features, connect the thermostat to a Wiser System.

Control options

Direct operation: The thermostat can always be controlled on-site.

- a. Room air temperature sensor only
- b. Floor sensor only
- c. Room air temperature for control and floor sensor for limiting heating temperature

NOTE: The thermostat works with several floor sensor types.

Functions

- Current room temperature and temperature set point
- Presets

1 Package content

- A Connected Thermostat 16 A
- B Installation instructions

2 Product details

- A Dot matrix display
- B Touch buttons

3 Selecting the installation site

In order for the thermostat to be operated, the internal temperature sensor must be protected as far as possible against external influences and temperature fluctuations. This helps to guarantee reliable measurement of the room temperature.

Insert installation site

The following should therefore be taken into account when considering the installation site:

- Minimum installation height: 1.5 m above the floor.
- Do not install too close to windows, doors or ventilation openings.
- Do not install above heaters or other heat sources.
- Do not cover or install behind curtains.
- Avoid direct sunlight and light from lamps.
- Do not install in power strips next or above components that produce heat, such as dimmers or electronic switches.

Floor sensor installation site

For reliable operation, the floor sensor must be protected against moisture, mechanical stresses and temperature fluctuations.

The following should therefore be taken into account when considering the installation site:

- There must be a clearance of at least 1 m from walls and doors.
- Install in the middle of the loops of the underfloor heating unit.
- Lay the sensor cable A in a plastic tube with an inside diameter of at least 16 mm.
- Fix tape to the end of the tube and cut a slice so that condensation water can come out of the tube.
- Ensure that tube corners are not too tight as corners affect installation of the sensor cable.

4 Electrical Connections

⚠ ⚠ DANGER

HAZARD OF ELECTRIC SHOCK, EXPLOSION, OR ARC FLASH

Safe electrical installation must be carried out only by skilled professionals. Skilled professionals must prove profound knowledge in the following areas:

- Connecting to installation networks.
- Connecting several electrical devices.
- Laying electric cables.
- Safety standards, local wiring rules and regulations.

Failure to follow these instructions will result in death or serious injury.

⚠ ⚠ DANGER

RISK OF FATAL INJURY FROM ELECTRIC SHOCK

The output may carry electrical current even when the load is switched off.

- Disconnect the device from the supply by means of the fuse in the incoming circuit before working on the device.

Failure to follow these instructions will result in death or serious injury.

⚠ ⚠ DANGER

RISK OF FATAL INJURY FROM ELECTRIC SHOCK

The device is not a Safety Extra Low Voltage (SELV) device.

The sensor lines are on mains (AC 230 V) line.

- Only use sensors with double insulated cables.

Failure to follow these instructions will result in death or serious injury.

Contact is always normally open.

- A Output: max. 16 A live
- B Input floor sensor (optional)

NOTE: The floor sensor cable is not included in the package. It must be procured separately.
Recommended floor sensor: WDE002495

5 Mounting

6 Presets

When the thermostat is first powered on or immediately after a factory reset, a default preset is set:

- No external sensor connected: P5
- Connected external sensor: P8

The preset will blink on the matrix LEDs for 10 seconds, then the thermostat switches to operating mode.

Modifying the preset value

NOTE: You can only modify the preset value after first powering on or factory reset if the thermostat has not yet been connected to Wiser system.

To modify the preset value:

- (1) Simultaneously press "O" and "+" for 10 s.
- (2) Press "+" to increase the preset value or "-" to decrease the preset value.
- (3) Press and hold "O" for > 1 s to confirm the selection.

Preset	Configuration
P1	Heat Pump/Oil Boiler (Room sensor)
P2	Hydronic Radiator/Gas Boiler (Room sensor)
P3	Hydronic Underfloor (Room sensor)
P4	Electrical Radiator (Room sensor)
P5	Electrical Underfloor (Room sensor - without floor limit sensor)
P6	Electrical Underfloor (Room sensor - with floor limit sensor)
P7	Hydronic Underfloor (Floor sensor)
P8	Electrical Underfloor (Floor sensor)
P9	Regulator Mode (based on percentage)

Certain presets require further settings on the thermostat. Please refer to the Device User Guide for detailed information.

7 Reading the full Device User Guide online

Scan the QR code and choose your language for complete information about the device, including operation, configuration and using the product with a Wiser system.

Technical data

Nominal voltage:	AC 230 V ~, 50 Hz
Maximum current rating:	16 A
Standby:	max. 0.4 W
Connecting terminals:	Screw terminals for max. 2.5 mm ² , 0.5 Nm
Neutral conductor:	Required
Ambient operating temperature:	0 to 40 °C
Relative humidity:	max. 90% non-condensing
IP rating:	IP31
Temperature accuracy:	max. ±0.5 °C (across the range of 4 to 30 °C)
Temperature measurement resolution:	max. 0.1 °C
Display:	7x5 dot matrix, 3 additional LEDs
Operating frequency:	2.405 GHz to 2.48 GHz
Max. radio-frequency power transmitted:	< 10 mW
Communication protocol:	Zigbee 3.0 certified
Floor sensor types:	10k, 12k, 15k, 33k, 47k (Thermistor resistance values in Ohm. Nominal value at 25 °C)
Protection Class:	II
Working voltage:	230 V
Over-voltage category:	III
Rated impulse voltage:	4 kV
Pollution degree:	2
CTI rating of insulation components:	175 V
Material group:	IIIa (based on CTI value)
Disconnection type:	1.B

Trademarks

- Wiser™ is a trademark and the property of Schneider Electric SE, its subsidiaries and affiliated companies.

- Zigbee® is a registered trademark of the Connectivity Standards Alliance.

Other brands and registered trademarks are properties of their relevant owners.

EU Declaration of Conformity

Hereby, Schneider Electric Industries, declares that this product is in compliance with the essential requirements and other relevant provisions of RADIO EQUIPMENT DIRECTIVE 2014/53/EU. Declaration of conformity can be downloaded on: se.com/docs.

Schneider Electric Industries SAS

If you have technical questions, please contact the Customer Care Centre in your country. se.com/contact

