

ENCLOSURE IP RATING: IP34D

HEIGHT: 1494 mm OVER PLINTH

WIDTH: 1944 mm

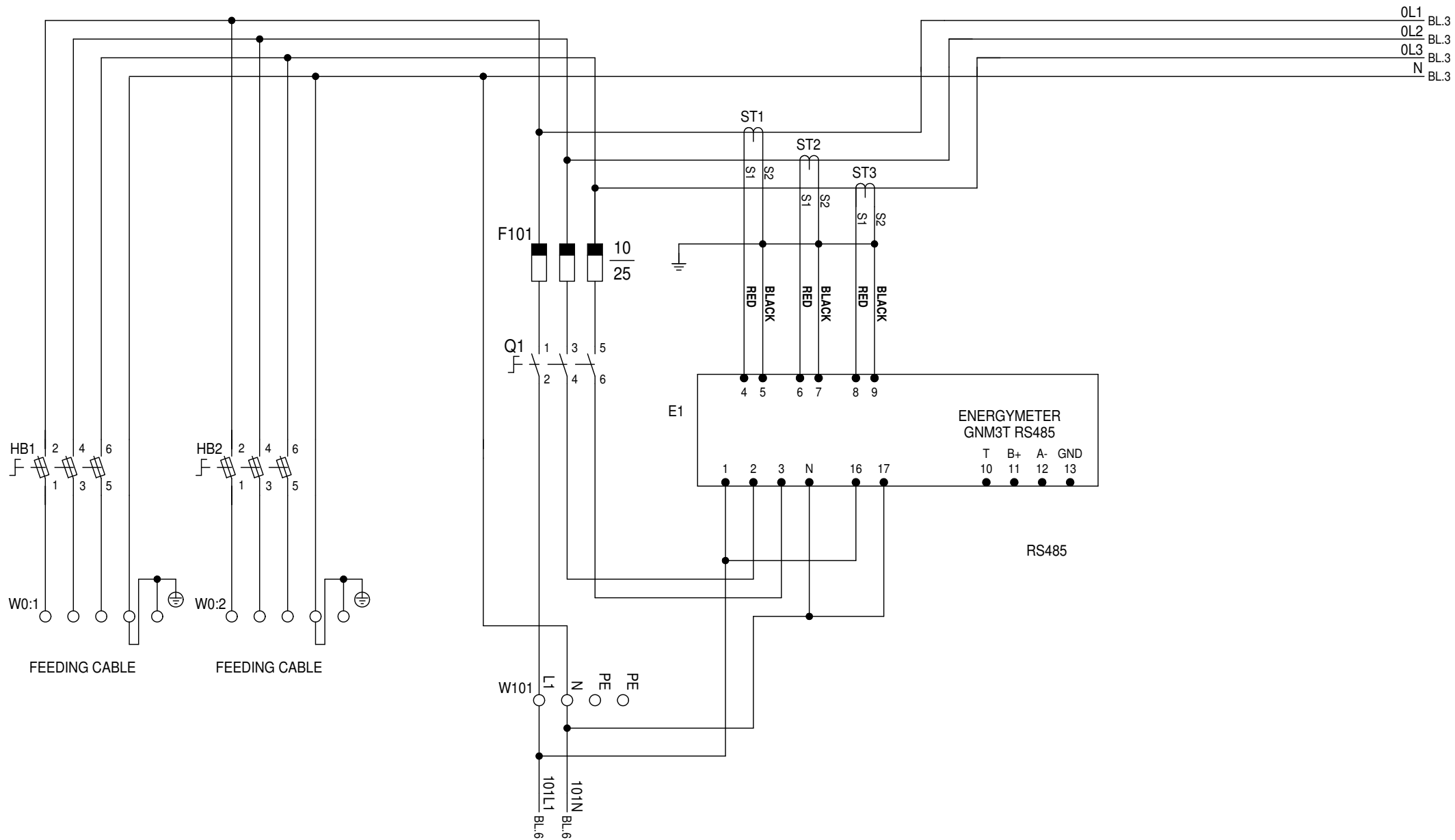
DEPTH: 320 mm



GARO MONTAGE AB
 Tel: 0370-33 28 90
 Fax: 0370-33 28 95
 Södergatan
 335 25 GNOSJÖ
 SWEDEN

EV DISTRIBUTION PANEL E0736005
 EV DISTRIBUTION PANEL 21 FEEDERS

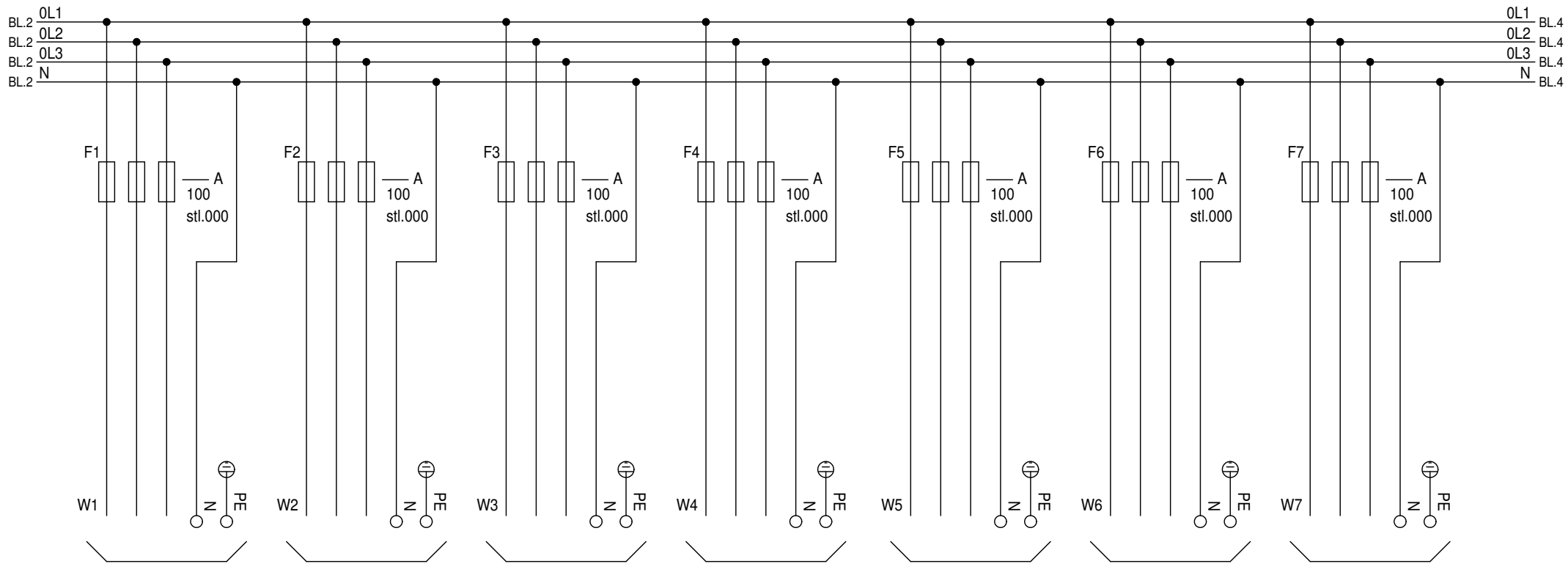
ARBETSNUMMER	DATUM	
	2021-10-15	
KONSTRUERAD AV	RITAD AV	BLAD
JG	JG	1
SENASTE ÄNDRING	UTGÅVA	NÄSTA BLAD
	A	2



GARO MONTAGE AB
 Tel: 0370-33 28 90
 Fax: 0370-33 28 95
 Södergatan
 335 25 GNOSJÖ
 SWEDEN

EV DISTRIBUTION PANEL E0736005
 EV DISTRIBUTION PANEL 21 FEEDERS

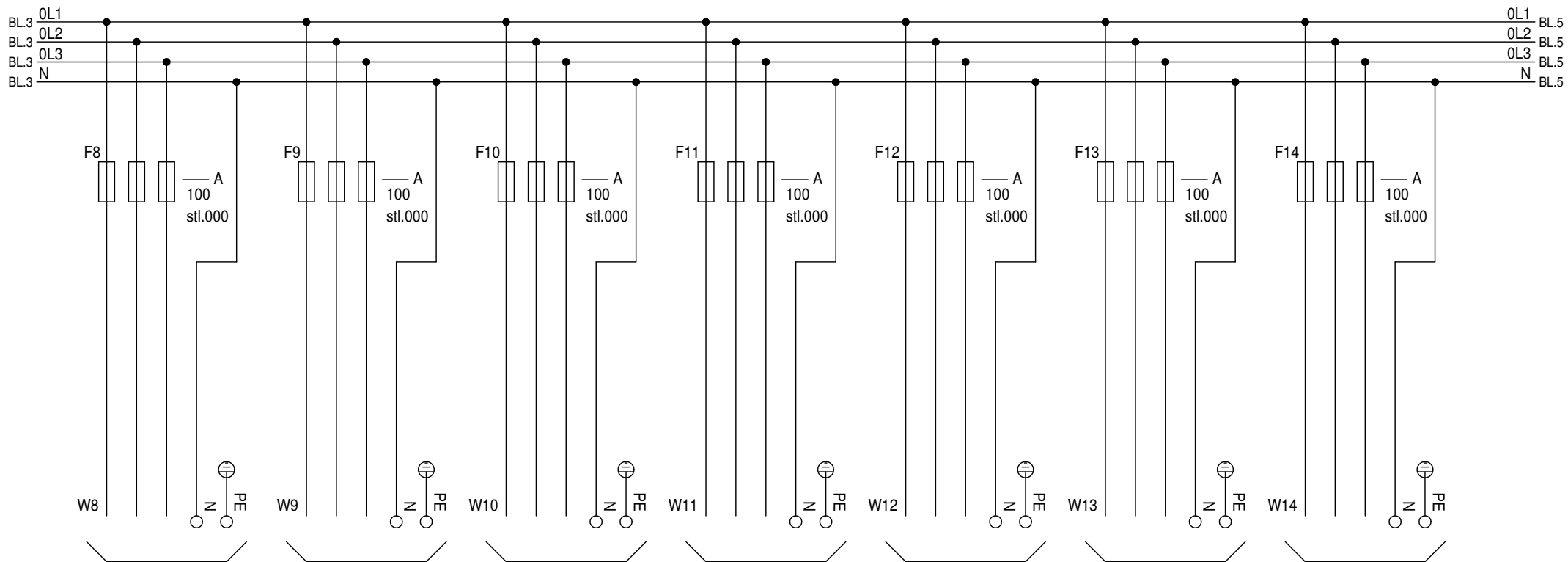
ARBETSNUMMER	DATUM	
KONSTRUERAD AV	RITAD AV	BLAD
JG	JG	2
SENASTE ÄNDRING	UTGÅVA	NÄSTA BLAD
	A	3



GARO MONTAGE AB
 Tel: 0370-33 28 90
 Fax: 0370-33 28 95
 Södergatan
 335 25 GNOSJÖ
 SWEDEN

EV DISTRIBUTION PANEL E0736005
 EV DISTRIBUTION PANEL 21 FEEDERS

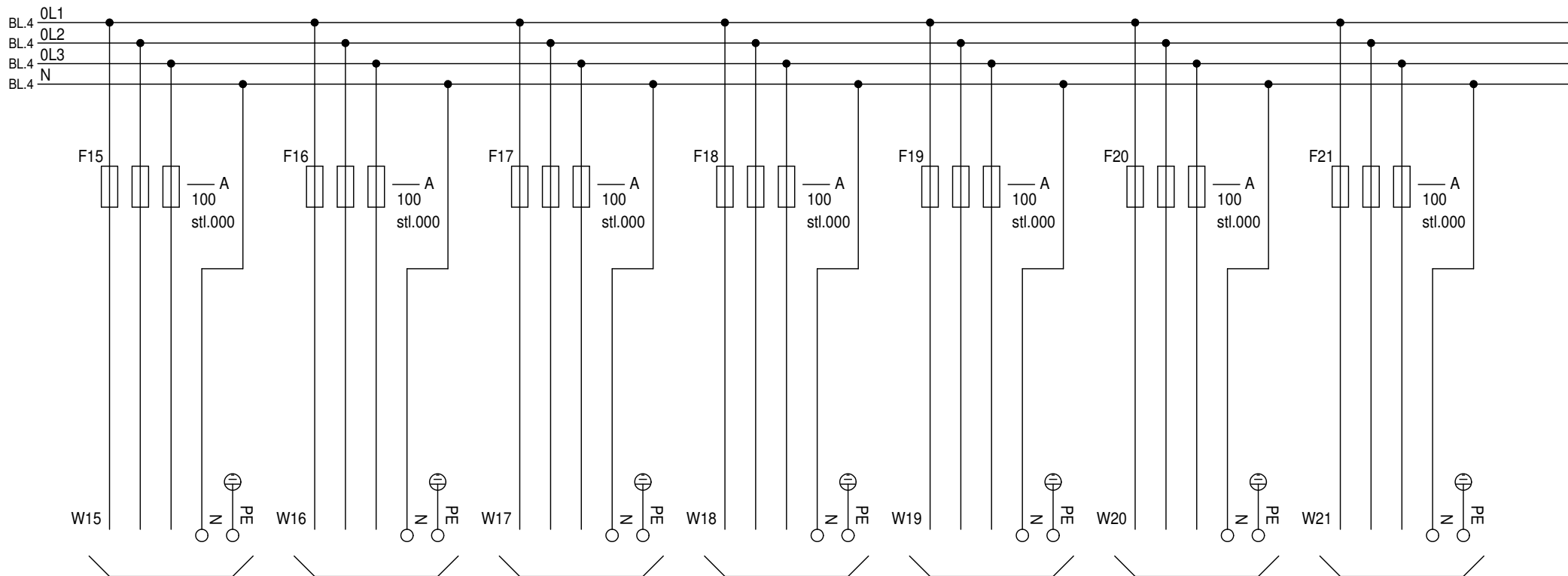
ARBETSNUMMER	DATUM	
	2021-10-15	
KONSTRUERAD AV	RITAD AV	BLAD
JG	JG	3
SENASTE ÄNDRING	UTGÅVA	NÄSTA BLAD
	A	4



GARO MONTAGE AB
 Tel: 0370-33 28 90
 Fax: 0370-33 28 95
 Södergatan
 335 25 GNOSJÖ
 SWEDEN

EV DISTRIBUTION PANEL E0736005
 EV DISTRIBUTION PANEL 21 FEEDERS

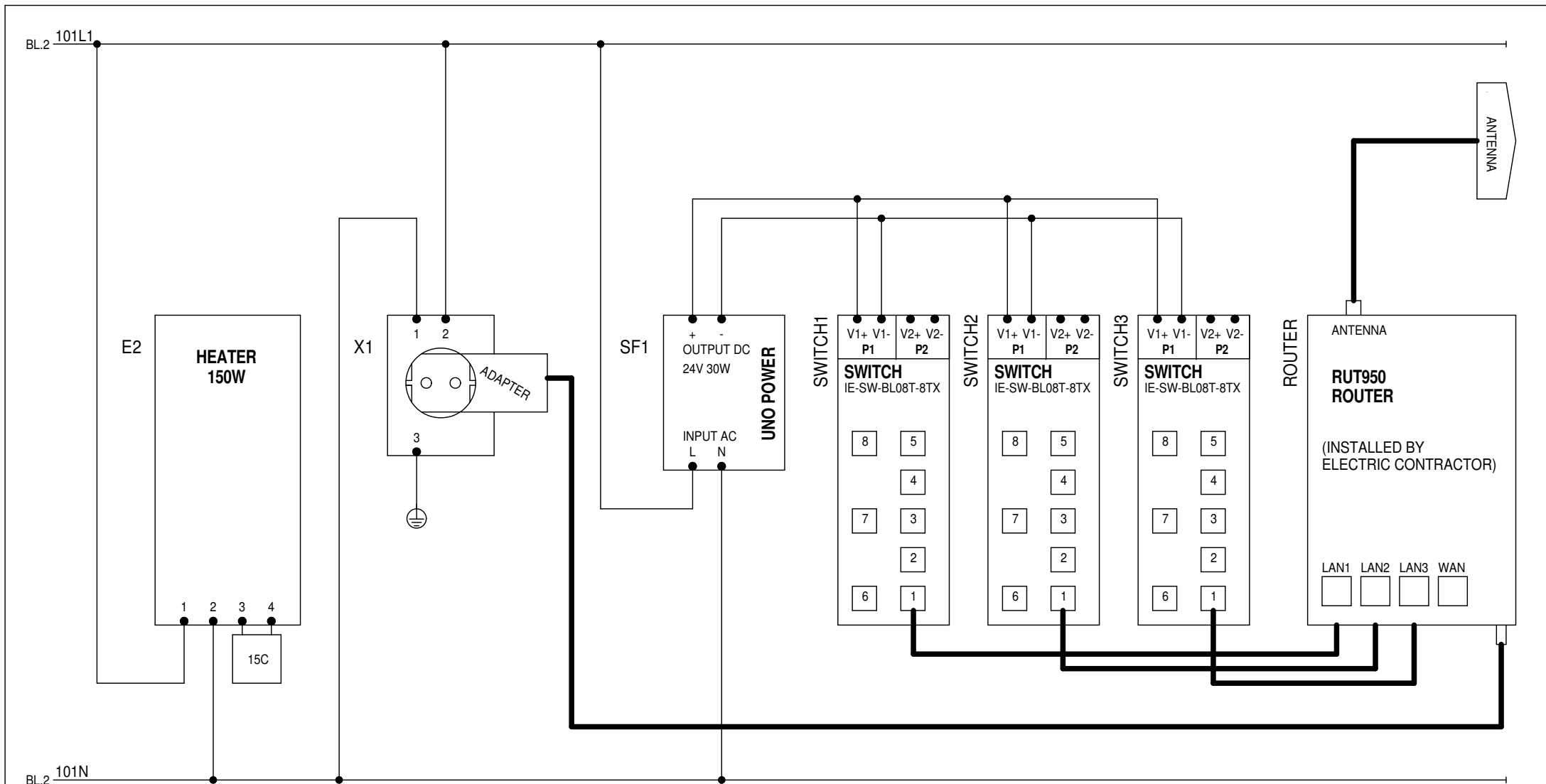
ARBETSNUMMER	DATUM	
	2021-10-15	
KONSTRUERAD AV	RITAD AV	BLAD
JG	JG	4
SENASTE ÄNDRING	UTGÅVA	NÄSTA BLAD
	A	5



GARO MONTAGE AB
 Tel: 0370-33 28 90
 Fax: 0370-33 28 95
 Södergatan
 335 25 GNOSJÖ
 SWEDEN

EV DISTRIBUTION PANEL E0736005
 EV DISTRIBUTION PANEL 21 FEEDERS

ARBETSNUMMER	DATUM	
	2021-10-15	
KONSTRUERAD AV	RITAD AV	BLAD
JG	JG	5
SENASTE ÄNDRING	UTGÅVA	NÄSTA BLAD
	A	6



GARO MONTAGE AB
 Tel: 0370-33 28 90
 Fax: 0370-33 28 95
 Södergatan
 335 25 GNOSJÖ
 SWEDEN

EV DISTRIBUTION PANEL E0736005
 EV DISTRIBUTION PANEL 21 FEEDERS

ARBETSNUMMER	DATUM	
	2021-10-15	
KONSTRUERAD AV	RITAD AV	BLAD
JG	JG	6
SENASTE ÄNDRING	UTGÅVA	NÄSTA BLAD
	A	7

Antal	Pos.Beteckning	Benämning	Typ	Fabrikat	Åtdragningsmoment	Data	Artikelnr	E-nummer
1		SIDEPLATE LOWER LEFT 320		Garö			90674	
1		SIDEPLATE LOWER HOLED RIGHT 320		Garö			41999	
1		BACK LOWER 3 METER		Garö			41983	
1		ROOF 3 METER 320		Garö			42023	
1		CORNER REINFORCEMENT LEFT 320		Garö			41973	
1		CORNER REINFORCEMENT RIGHT 320		Garö			41974	
1		DOOR LEFT WIDE		Garö			41987	
1		HATCH LOWER 3 METER		Garö			42396	
1		COMPRESSION LOCK TK 10		Industrilås			109515	
1		COMPRESSION LOCK TK 10		Industrilås			109515	
1		BASE PLATE BACK 3 METER		Garö			90633	
1		FOUNDATIONPLATE FRONT 3 METER		Garö			90668	
1		FOUNDATION 320		Garö			41977	
1		TELESCOPE PART FOUNDATION 320		Garö			41979	
1		LABEL GROUND LEVEL		Garö			42527	
1		SIDEPLATE LOWER HOLED LEFT 320		Garö			41997	
1		SIDEPLATE LOWER RIGHT 320		Garö			90675	
1		BACK LOWER 5 METER		Garö			41985	
1		ROOF 5 METER 320		Garö			42025	
1		CORNER REINFORCEMENT LEFT 320		Garö			41973	
1		CORNER REINFORCEMENT RIGHT 320		Garö			41974	
1		DOOR LEFT WIDE		Garö			41987	
1		DOOR RIGHT NARROW		Garö			41988	
1		HATCH LOWER 5 METER		Garö			42398	
1		MIDDLE ROOF 5 METER 320		Garö			90625	
1		BACK UPPER 5 METER		Garö			90615	
1		DOOR LEFT NARROW		Garö			41986	
1		DOOR LEFT WIDE		Garö			41987	
1		COMPRESSION LOCK TK 10		Industrilås			109515	
1		COMPRESSION LOCK TK 10		Industrilås			109515	
1		COMPRESSION LOCK TK 10 SEN		Industrilås			109478	
1		COMPRESSION LOCK TK 10 SEN		Industrilås			109478	
1		SIDE PLATE UPPER LEFT 320		Garö			42016	
1		SIDE PLATE UPPER RIGHT 320		Garö			42017	
1		BASE PLATE BACK 5 METER		Garö			90635	
1		FOUNDATIONPLATE FRONT 5 METER		Garö			90670	



GARÖ MONTAGE AB
Tel: 0370-33 28 90
Fax: 0370-33 28 95
Södergatan
335 25 GNOSJÖ
SWEDEN

EV DISTRIBUTION PANEL E0736005
EV DISTRIBUTION PANEL 21 FEEDERS

ARBETSNUMMER	DATUM	
	2021-10-15	
KONSTRUERAD AV	RITAD AV	BLAD
JG	JG	7
SENASTE ÄNDRING	UTGÅVA	NÄSTA BLAD
	A	8

Antal	Pos.Beteckning	Benämning	Typ	Fabrikat	Åtdragningsmoment	Data	Artikelnr	E-nummer
1		FOUNDATION 320		Garö			41977	
1		TELESCOPE PART FOUNDATION 320		Garö			41979	
1		FILLING SUPPORT 320		Garö			42231	
1		LABEL GROUND LEVEL		Garö			42527	
0.5 m		BUSBAR 630A 1264mm		Abb			0732885	
0.5 m		BUSBAR 630A 1264mm		Abb			0732885	
0.5 m		BUSBAR 630A 1264mm		Abb			0732885	
1.3 m		BUSBAR 630A 1264mm		Abb			0732885	
1.3 m		BUSBAR 630A 1264mm		Abb			0732885	
1.3 m		BUSBAR 630A 1264mm		Abb			0732885	
1		RAIL HOLDER GARO		Garö			42234	
1		BAR SUPPORT HIDDEN 630A GKS		Garö			MF07644	
1		NEUTRAL/EARTHBAR 400A, 1212mm		Abb			0732894	
1		NEUTRAL/EARTHBAR 400A, 1212mm		Abb			0732894	
1		NEUTRAL BAR HOLDER		Garö			42059	
1		NEUTRAL BAR HOLDER		Garö			42059	
1		CONNECTION PIN B-S 400		Abb			888083	
1		CONNECTION PIN B-S 400		Abb			888083	
1		METER CABLE 1,5M		Garö			889208	
1		RAIL HOLDER PROFILE RIGHT		Garö			42048	
1		BAR SUPPORT PROFILE		Garö			42049	
1		BUSBAR CON GARO 2,5-50mmAl/Cu		Ouneva	<10=5Nm,>1	3	108517	
1		BUSBAR CON GARO 2,5-50mmAl/Cu		Ouneva	<10=5Nm,>1	3	108517	
1		DIVIDER EV CHARGE		Garö			42613	
1		BACK PLATE EV CHARGE TYPE 1/2		Garö			42459	
1		COVER PLATE EV CHARGE TYPE 1/2		Garö			42460	
1		SPACER COVER EV CHARGE TYPE 1/2		Garö			42461	
1		SPACER COVER EV CHARGE TYPE 1/2		Garö			42461	
1		DIN-RAIL 35X15 L=575 GKS		Garö			42463	
1		DIN-RAIL 35X15 L=575 GKS		Garö			42463	
1		DIN-RAIL 35x15 L=194		Garö			24294	
1		DIN-RAIL 35x15 L=194		Garö			24294	
1		NEUTRAL/EARTHBAR 400A, 1212mm		Abb			0732894	
1		NEUTRAL/EARTHBAR 400A, 1212mm		Abb			0732894	
1		NEUTRAL BAR HOLDER		Garö			42059	
1		NEUTRAL BAR HOLDER		Garö			42059	



GARÖ MONTAGE AB
Tel: 0370-33 28 90
Fax: 0370-33 28 95
Södergatan
335 25 GNOSJÖ
SWEDEN

EV DISTRIBUTION PANEL E0736005
EV DISTRIBUTION PANEL 21 FEEDERS

ARBETSNUMMER	DATUM	
	2021-10-15	
KONSTRUERAD AV	RITAD AV	BLAD
JG	JG	8
SENASTE ÄNDRING	UTGÅVA	NÄSTA BLAD
	A	9

Antal	Pos.Beteckning	Benämning	Typ	Fabrikat	Åtdragningsmoment	Data	Artikelnr	E-nummer
1		CONNECTORS ADI 95		Abb			0732795	
1		CONNECTORS ADI 95		Abb			0732795	
1		CONNECTORS ADI 95		Abb			0732795	
1	ANTENN	ANTENNA 0,5M RG316 SMA-m 90 GKS		Smarteq Wireless			108092	
1	E1	ENERGYM 3P T MODB RS485	GNM3T-RS485	Garö	0,4-0,6Nm	400V AC <1W Modbus R	108740	900191
1	E2	HEATER 150W M TERM GKS		Stego			2599018	
1	F1	SLD 000 OEM 6999.5005.1		Abb	(2,5-35mm ²)		888302	
1	F2	SLD 000 OEM 6999.5005.1		Abb	(2,5-35mm ²)		888302	
1	F3	SLD 000 OEM 6999.5005.1		Abb	(2,5-35mm ²)		888302	
1	F4	SLD 000 OEM 6999.5005.1		Abb	(2,5-35mm ²)		888302	
1	F5	SLD 000 OEM 6999.5005.1		Abb	(2,5-35mm ²)		888302	
1	F6	SLD 000 OEM 6999.5005.1		Abb	(2,5-35mm ²)		888302	
1	F7	SLD 000 OEM 6999.5005.1		Abb	(2,5-35mm ²)		888302	
1	F8	SLD 000 OEM 6999.5005.1		Abb	(2,5-35mm ²)		888302	
1	F9	SLD 000 OEM 6999.5005.1		Abb	(2,5-35mm ²)		888302	
1	F10	SLD 000 OEM 6999.5005.1		Abb	(2,5-35mm ²)		888302	
1	F11	SLD 000 OEM 6999.5005.1		Abb	(2,5-35mm ²)		888302	
1	F12	SLD 000 OEM 6999.5005.1		Abb	(2,5-35mm ²)		888302	
1	F13	SLD 000 OEM 6999.5005.1		Abb	(2,5-35mm ²)		888302	
1	F14	SLD 000 OEM 6999.5005.1		Abb	(2,5-35mm ²)		888302	
1	F15	SLD 000 OEM 6999.5005.1		Abb	(2,5-35mm ²)		888302	
1	F16	SLD 000 OEM 6999.5005.1		Abb	(2,5-35mm ²)		888302	
1	F17	SLD 000 OEM 6999.5005.1		Abb	(2,5-35mm ²)		888302	
1	F18	SLD 000 OEM 6999.5005.1		Abb	(2,5-35mm ²)		888302	
1	F19	SLD 000 OEM 6999.5005.1		Abb	(2,5-35mm ²)		888302	
1	F20	SLD 000 OEM 6999.5005.1		Abb	(2,5-35mm ²)		888302	
1	F21	SLD 000 OEM 6999.5005.1		Abb	(2,5-35mm ²)		888302	
1	F101	BUSBAR SUPPORT GKS					MF07563	
1		FUSE BASE 1-POL E27 BOTT/DIN		Wöhner		1x25A	888139	
1		FUSE BASE 1-POL E27 BOTT/DIN		Wöhner		1x25A	888139	
1		FUSE BASE 1-POL E27 BOTT/DIN		Wöhner		1x25A	888139	
1	HB1	FUSERBLOCK 3X250A		Garö		250A IP20 1	3GS53024	
1		COVER BREAKER 208 INV		Garö			41736	
1		TENSIONWASHER DIN 6796 8,4 FZB					107325	
1		TENSIONWASHER DIN 6796 8,4 FZB					107325	
1		TENSIONWASHER DIN 6796 8,4 FZB					107325	



GARÖ MONTAGE AB
Tel: 0370-33 28 90
Fax: 0370-33 28 95
Södergatan
335 25 GNOSJÖ
SWEDEN

EV DISTRIBUTION PANEL E0736005
EV DISTRIBUTION PANEL 21 FEEDERS

ARBETSNUMMER	DATUM	
	2021-10-15	
KONSTRUERAD AV	RITAD AV	BLAD
JG	JG	9
SENASTE ÄNDRING	UTGÅVA	NÄSTA BLAD
	A	10

Antal	Pos.Beteckning	Benämning	Typ	Fabrikat	Åtdragningsmoment	Data	Artikelnr	E-nummer
1		NUT BUSBAR		Garö			42611	
1		NUT BUSBAR		Garö			42611	
1		NUT BUSBAR		Garö			42611	
1	HB2	FUSERBLOCK 3X250A		Garö		250A IP20 1	3GS53024	
1		COVER BREAKER 208 INV		Garö			41736	
1		TENSIONWASHER DIN 6796 8,4 FZB					107325	
1		TENSIONWASHER DIN 6796 8,4 FZB					107325	
1		TENSIONWASHER DIN 6796 8,4 FZB					107325	
1		NUT BUSBAR		Garö			42611	
1		NUT BUSBAR		Garö			42611	
1		NUT BUSBAR		Garö			42611	
1	Q1	MAIN SW 2M 3P 63A BULK HBS		Socomec			108549	
1	ROUTER	Router	RUT950					
1	SF1	TRANSF 24V DC/30W 1-F		Phoenix Contact			107601	
1	ST1	SPLIT CORE TRANSFORMER 50-600A		Carlo Gavzzi			109907	
1	ST2	SPLIT CORE TRANSFORMER 50-600A		Carlo Gavzzi			109907	
1	ST3	SPLIT CORE TRANSFORMER 50-600A		Carlo Gavzzi			109907	
1	SWITCH1	ETHERNET SWITCH 8TX		Weidmuller		16A 12-230 ACDCV DC	108639	
1	SWITCH2	ETHERNET SWITCH 8TX		Weidmuller		16A 12-230 ACDCV DC	108639	
1	SWITCH3	ETHERNET SWITCH 8TX		Weidmuller		16A 12-230 ACDCV DC	108639	
1	W0:1	OT VK 6-95mm Al/Cu		Ouneva	<35=12Nm,>	6-95mm ²	1912331	
1		OT VK 35-240mm Al/Cu		Ouneva	<120=26Nm,	35-240mm ²	1912332	
1		CONN CL AL/CU OL 1x185-300		Ouneva	70Nm	185-300mm ²	1914195	
1		CONN CL AL/CU OL 1x185-300		Ouneva	70Nm	185-300mm ²	1914195	
1		CONN CL AL/CU OL 1x185-300		Ouneva	70Nm	185-300mm ²	1914195	
1	W0:2	OT VK 6-95mm Al/Cu		Ouneva	<35=12Nm,>	6-95mm ²	1912331	
1		OT VK 35-240mm Al/Cu		Ouneva	<120=26Nm,	35-240mm ²	1912332	
1		CONN CL AL/CU OL 1x185-300		Ouneva	70Nm	185-300mm ²	1914195	
1		CONN CL AL/CU OL 1x185-300		Ouneva	70Nm	185-300mm ²	1914195	
1		CONN CL AL/CU OL 1x185-300		Ouneva	70Nm	185-300mm ²	1914195	
1	W1	OT VK 6-95mm Al/Cu		Ouneva	<35=12Nm,>	6-95mm ²	1912331	
1		OT VK 6-95mm Al/Cu		Ouneva	<35=12Nm,>	6-95mm ²	1912331	
1	W2	OT VK 6-95mm Al/Cu		Ouneva	<35=12Nm,>	6-95mm ²	1912331	
1		OT VK 6-95mm Al/Cu		Ouneva	<35=12Nm,>	6-95mm ²	1912331	
1	W3	OT VK 6-95mm Al/Cu		Ouneva	<35=12Nm,>	6-95mm ²	1912331	
1		OT VK 6-95mm Al/Cu		Ouneva	<35=12Nm,>	6-95mm ²	1912331	



GARÖ MONTAGE AB
Tel: 0370-33 28 90
Fax: 0370-33 28 95
Södergatan
335 25 GNÖSJÖ
SWEDEN

EV DISTRIBUTION PANEL E0736005
EV DISTRIBUTION PANEL 21 FEEDERS

ARBETSNUMMER	DATUM	
	2021-10-15	
KONSTRUERAD AV	RITAD AV	BLAD
JG	JG	10
SENASTE ÄNDRING	UTGÅVA	NÄSTA BLAD
	A	11

Antal	Pos.Beteckning	Benämning	Typ	Fabrikat	Åtdragningsmoment	Data	Artikelnr	E-nummer
1	W4	OT VK 6-95mm Al/Cu		Ouneva	<35=12Nm,>	6-95mm ²	1912331	
1		OT VK 6-95mm Al/Cu		Ouneva	<35=12Nm,>	6-95mm ²	1912331	
1	W5	OT VK 6-95mm Al/Cu		Ouneva	<35=12Nm,>	6-95mm ²	1912331	
1		OT VK 6-95mm Al/Cu		Ouneva	<35=12Nm,>	6-95mm ²	1912331	
1	W6	OT VK 6-95mm Al/Cu		Ouneva	<35=12Nm,>	6-95mm ²	1912331	
1		OT VK 6-95mm Al/Cu		Ouneva	<35=12Nm,>	6-95mm ²	1912331	
1	W7	OT VK 6-95mm Al/Cu		Ouneva	<35=12Nm,>	6-95mm ²	1912331	
1		OT VK 6-95mm Al/Cu		Ouneva	<35=12Nm,>	6-95mm ²	1912331	
1	W8	OT VK 6-95mm Al/Cu		Ouneva	<35=12Nm,>	6-95mm ²	1912331	
1		OT VK 6-95mm Al/Cu		Ouneva	<35=12Nm,>	6-95mm ²	1912331	
1	W9	OT VK 6-95mm Al/Cu		Ouneva	<35=12Nm,>	6-95mm ²	1912331	
1		OT VK 6-95mm Al/Cu		Ouneva	<35=12Nm,>	6-95mm ²	1912331	
1	W10	OT VK 6-95mm Al/Cu		Ouneva	<35=12Nm,>	6-95mm ²	1912331	
1		OT VK 6-95mm Al/Cu		Ouneva	<35=12Nm,>	6-95mm ²	1912331	
1	W11	OT VK 6-95mm Al/Cu		Ouneva	<35=12Nm,>	6-95mm ²	1912331	
1		OT VK 6-95mm Al/Cu		Ouneva	<35=12Nm,>	6-95mm ²	1912331	
1	W12	OT VK 6-95mm Al/Cu		Ouneva	<35=12Nm,>	6-95mm ²	1912331	
1		OT VK 6-95mm Al/Cu		Ouneva	<35=12Nm,>	6-95mm ²	1912331	
1	W13	OT VK 6-95mm Al/Cu		Ouneva	<35=12Nm,>	6-95mm ²	1912331	
1		OT VK 6-95mm Al/Cu		Ouneva	<35=12Nm,>	6-95mm ²	1912331	
1	W14	OT VK 6-95mm Al/Cu		Ouneva	<35=12Nm,>	6-95mm ²	1912331	
1		OT VK 6-95mm Al/Cu		Ouneva	<35=12Nm,>	6-95mm ²	1912331	
1	W15	OT VK 6-95mm Al/Cu		Ouneva	<35=12Nm,>	6-95mm ²	1912331	
1		OT VK 6-95mm Al/Cu		Ouneva	<35=12Nm,>	6-95mm ²	1912331	
1	W16	OT VK 6-95mm Al/Cu		Ouneva	<35=12Nm,>	6-95mm ²	1912331	
1		OT VK 6-95mm Al/Cu		Ouneva	<35=12Nm,>	6-95mm ²	1912331	
1	W17	OT VK 6-95mm Al/Cu		Ouneva	<35=12Nm,>	6-95mm ²	1912331	
1		OT VK 6-95mm Al/Cu		Ouneva	<35=12Nm,>	6-95mm ²	1912331	
1	W18	OT VK 6-95mm Al/Cu		Ouneva	<35=12Nm,>	6-95mm ²	1912331	
1		OT VK 6-95mm Al/Cu		Ouneva	<35=12Nm,>	6-95mm ²	1912331	
1	W19	OT VK 6-95mm Al/Cu		Ouneva	<35=12Nm,>	6-95mm ²	1912331	
1		OT VK 6-95mm Al/Cu		Ouneva	<35=12Nm,>	6-95mm ²	1912331	
1	W20	OT VK 6-95mm Al/Cu		Ouneva	<35=12Nm,>	6-95mm ²	1912331	
1		OT VK 6-95mm Al/Cu		Ouneva	<35=12Nm,>	6-95mm ²	1912331	
1	W21	OT VK 6-95mm Al/Cu		Ouneva	<35=12Nm,>	6-95mm ²	1912331	
1		OT VK 6-95mm Al/Cu		Ouneva	<35=12Nm,>	6-95mm ²	1912331	



GARO MONTAGE AB
Tel: 0370-33 28 90
Fax: 0370-33 28 95
Södergatan
335 25 GNOSJÖ
SWEDEN

EV DISTRIBUTION PANEL E0736005
EV DISTRIBUTION PANEL 21 FEEDERS

ARBETSNUMMER	DATUM	
	2021-10-15	
KONSTRUERAD AV	RITAD AV	BLAD
JG	JG	11
SENASTE ÄNDRING	UTGÅVA	NÄSTA BLAD
	A	12

Antal	Pos.Beteckning	Benämning	Typ	Fabrikat	Åtdragningsmoment	Data	Artikelnr	E-nummer
1	W101	PTFIX ADAPTER VERTICAL		Phoenix Contact			108526	
1		PTFIX DISTR.BLOCK 12x2,5 BK GKS		Phoenix Contact			108525	
1		PTFIX ADAPTER VERTICAL		Phoenix Contact			108526	
1		DISTRIBUTION BLOCK PTFIX 6X2,5 BU 450V 24A		Phoenix Contact			109419	
1		WPE2,5		Weidmuller	0,4-0,6Nm		2919682	
1		WPE2,5		Weidmuller	0,4-0,6Nm		2919682	
1	X1	OUTLET WALL 2P+EARTH 250V/10-16A B SAFE		Garo		16A 230V AC IP20 1-2	103246	



GARO MONTAGE AB
 Tel: 0370-33 28 90
 Fax: 0370-33 28 95
 Södergatan
 335 25 GNOSJÖ
 SWEDEN

EV DISTRIBUTION PANEL E0736005
 EV DISTRIBUTION PANEL 21 FEEDERS

ARBETSNUMMER		DATUM
		2021-10-15
KONSTRUERAD AV	RITAD AV	BLAD
JG	JG	12
SENASTE ÄNDRING	UTGÅVA	NÄSTA BLAD
	A	