

Control Panel Mounting Kits

iC7 Series

1 Instructions

1.1 Safety and Installation Awareness

Before starting installation, familiarize yourself with the safety guidelines and precautions in the product-specific safety guide. For additional information about the control panel, consult the iC7 series application guides.

1.2 Items Supplied

Surface mounting kit	Flush mounting kit
Cradle	Cradle
1+2 seal rings	2*2 wedges (2 mm and 3 mm)
Nut	–

1.3 Additional Items

! **IMPORTANT:** The cable has to be purchased separately.

Make sure the cable between the control board and the control panel mounting kit is long enough.

Control unit type	Control board connector	Cable length (m)
Integrated control	SUBD9	2.5, 5, 10
Modular control	IX/RJ45 Ethernet	1.5, 2.5, 5, 10

1.4 Installing Surface Mounting Kit

1. Use the drilling template and mark the dimensions to prepare a round hole.
2. Install the components for the surface mounting kit. See [2 Illustrations](#).
3. Connect the appropriate cable to the control board.

1.5 Installing Flush Mounting Kit

1. Use the cutting template dimensions and cut out the square section.
2. Install using the components of the flush mounting kit. See [2 Illustrations](#).

The flush mounting kit supports mounting in steel plates from 2 mm to 3 mm of thickness. Use the appropriate wedges.

3. Connect the appropriate cable to the control board.

2 Illustrations

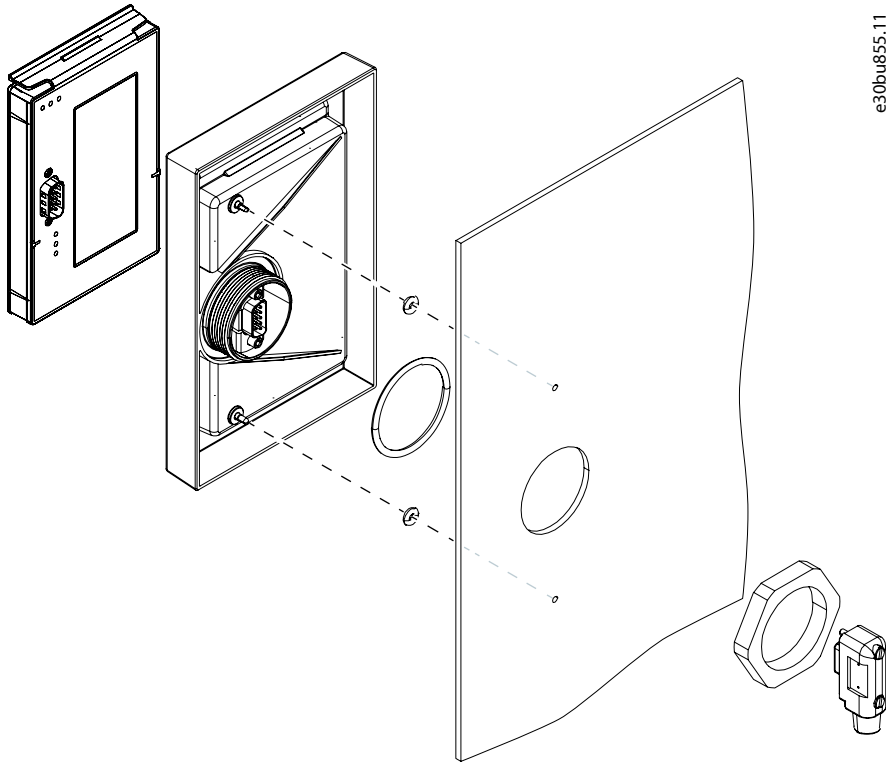


Figure 1: Surface Mounting Installation

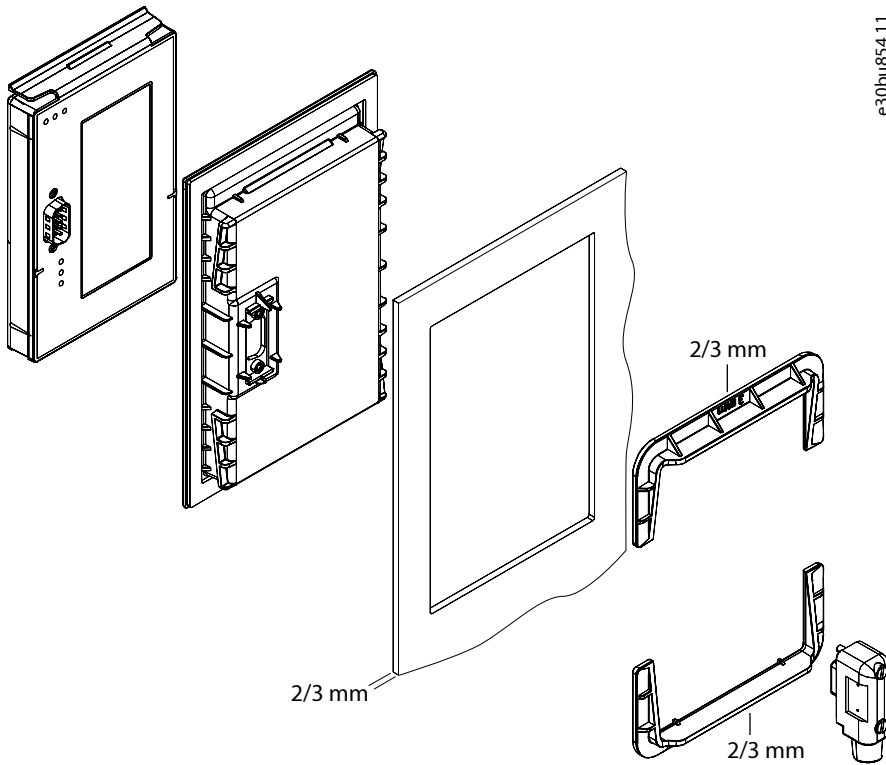


Figure 2: Flush Mounting Installation

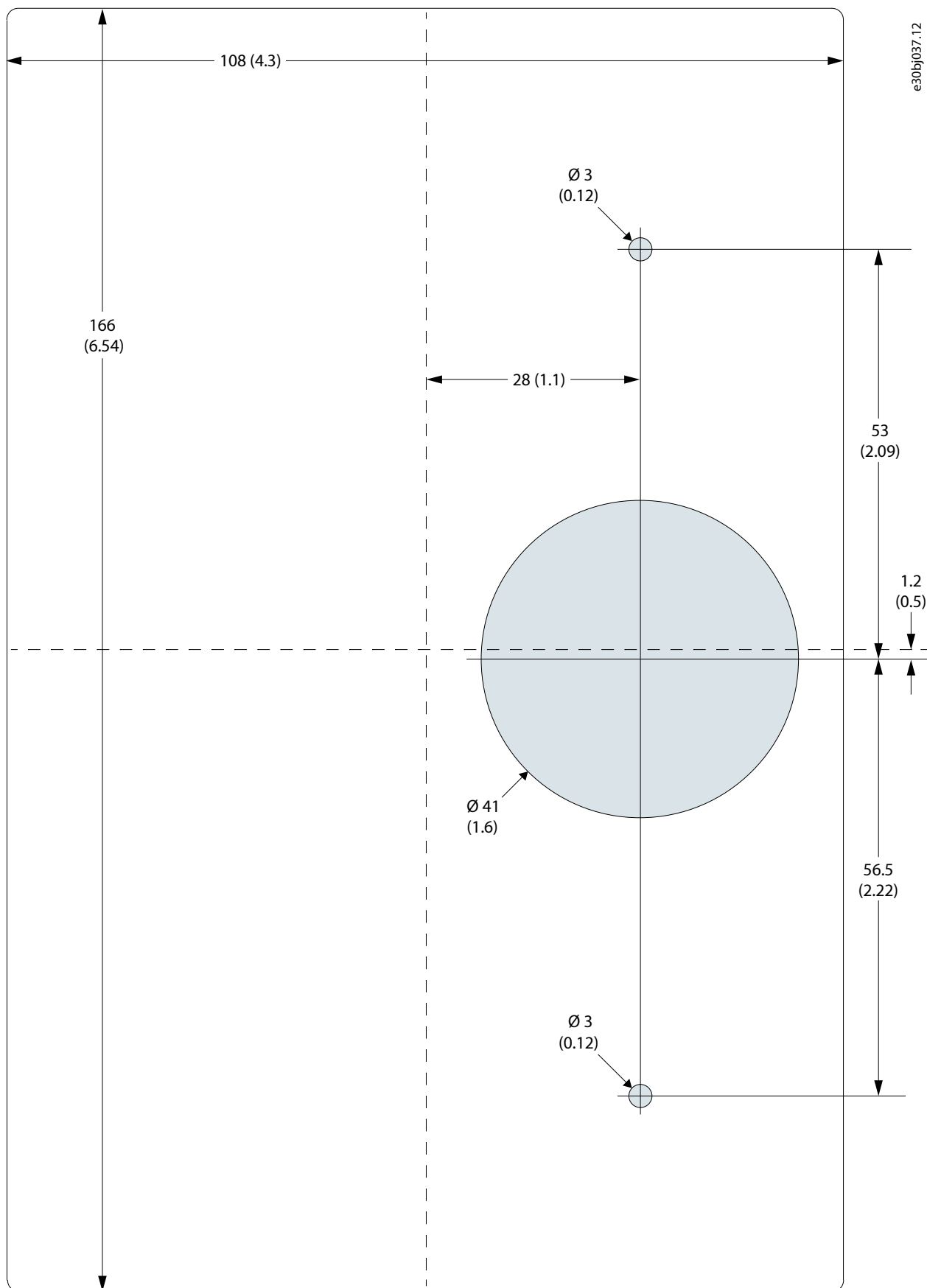


Figure 3: Surface Mounting Drilling Template View from Front. Dimensions in mm (in).

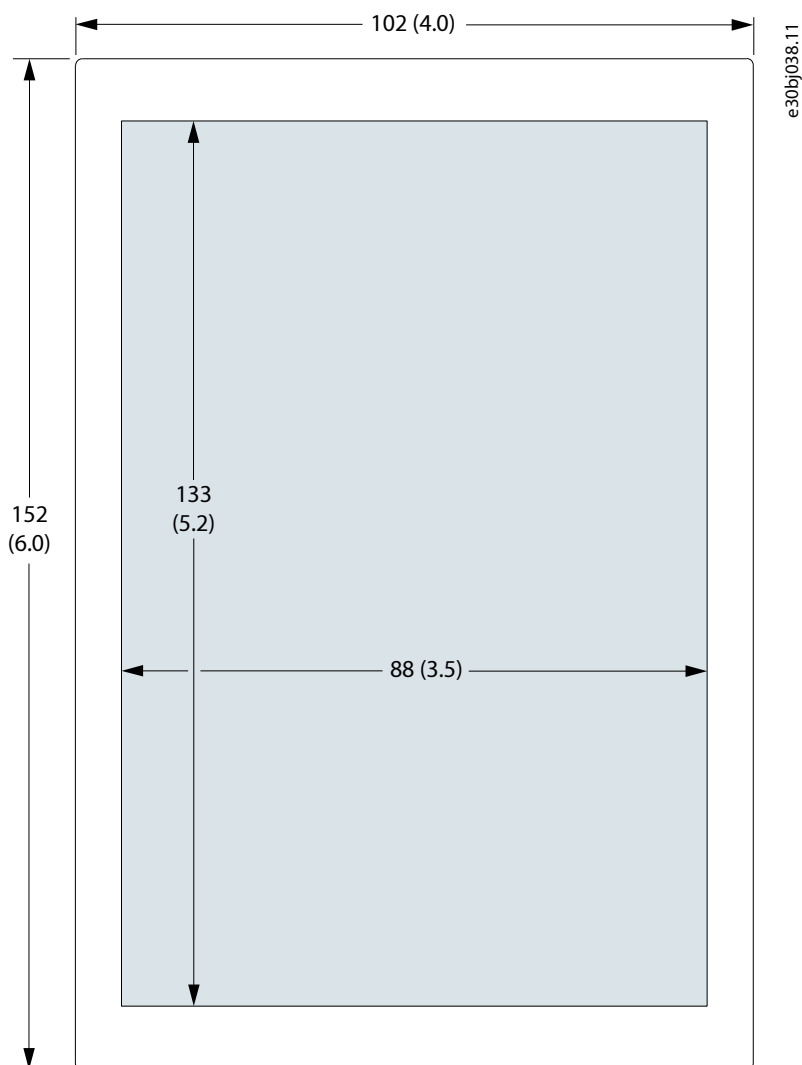


Figure 4: Flush Mounting Drilling Template View from Front. Dimensions in mm (in).

Danfoss A/S
 Ulsnaes 1
 DK-6300 Graasten
drives.danfoss.com

Any information, including, but not limited to information on selection of product, its application or use, product design, weight, dimensions, capacity or any other technical data in product manuals, catalog descriptions, advertisements, etc. and whether made available in writing, orally, electronically, online or via download, shall be considered informative, and is only binding if and to the extent, explicit reference is made in a quotation or order confirmation. Danfoss cannot accept any responsibility for possible errors in catalogs, brochures, videos and other material. Danfoss reserves the right to alter its products without notice. This also applies to products ordered but not delivered provided that such alterations can be made without changes to form, fit or function of the product. All trademarks in this material are property of Danfoss A/S or Danfoss group companies. Danfoss and the Danfoss logo are trademarks of Danfoss A/S. All rights reserved.

M00324

