

Product data

Product code	VA01-0254	STK-code	5200366	EAN-code	6410052003661
Product name	Cable lug PKK 185-14-90 Cu			ETIM class	EC001051
Wires	Cu 185 mm ²				

Technical data

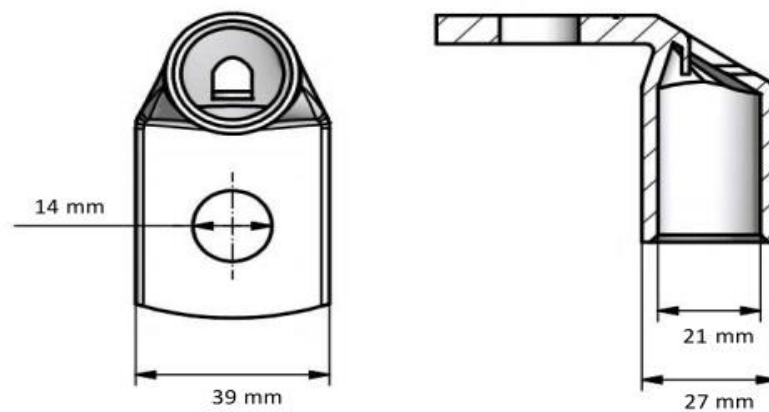
	-	
	-	
	-	
	-	
	-	
	-	
	-	
Number of poles	1	pcs
Max. Cross section	185	mm ²
	-	
	-	
	-	
	-	
	-	
Weight	168	g
	-	
	-	
Color / Material	Tin plated copper	
Mounting / Connection	Crimping	



Description

Cable lugs are used for connecting copper cables. Installation of the cable lugs can be performed with the most basic crimping tools. Cable lugs are compatible with all kinds of stranded (also compressed and PEX-type) wires.

Drawing



Package

Package	Box	Pcs / Package	10	Weight [kg]	1,735
Length [mm]	85	Width [mm]	144	Height [mm]	85

Ouneva Oy

Teollisuustie 21
FI-82730 Tuupovaara
Finland

Tel. +358 400 179 750
info@ouneva.fi

www.ounevagroup.fi
www.ounevaproducts.fi