

PROJET[®]

PoE System

PoE Module And Surge Arrester



CATALOGUE

- 1** **[EN Series PoE Injector](#)**
-Economy 15W 30W passive PoE
- 2** **[10,100,101,110 Series PoE Injector](#)**
-Indoor AF/AT PoE
- 3** **[104 Series PoE Injector](#)**
-IEEE802.3 at/bt or PoE++ , Gigabit,2.5/5/10Gbe data speed
- 4** **[105 DC Series PoE Injector](#)**
-DIN rail DC input version, Industrial PoE
- 5** **[105 AC Series PoE Injector](#)**
-DIN rail AC input version, Industrial PoE
- 6** **[105 Fiber Series PoE Injector](#)**
-DIN rail fiber input version, Industrial PoE
- 7** **[Din Rail Multi-Port PoE](#)**
-DIN rail Multi-port PoE
- 8** **[106 AC Series PoE Injector](#)**
-IEEE802.3 bt or PoE++ , with UL/cUL/FCC/CE/CB/PSE/SAA Certificate
- 9** **[106 DC Series PoE Injector](#)**
-Passive 24V, 48V Output Version & DC Input Version
- 10** **[106 90W Series PoE Injector](#)**
-IEEE802.3 bt or PoE++ , high power 90W PoE
- 11** **[107 Series PoE Injector](#)**
-Industrial 60W &75W PoE
- 12** **[108 AC Series PoE Injector](#)**
-Outdoor IP67 PoE
- 12** **[108 DC Series PoE Injector](#)**
-Outdoor IP67 PoE
- 13** **[109 Series PoE Injector](#)**
-Industrial 95W&120W&160W high power PoE
- 14** **[206 Series PoE Injector](#)**
-Dual-port PoE
- 15** **[Outdoor PoE Switch Series](#)**
- 16** **[PoE Surge Protector Series](#)**
- 17** **[PoE Extender Series](#)**
- 18** **[PoE Splitter Type-C Series](#)**
- 19** **[PoE Splitter Series](#)**



Procet PoE Injector EN Series

The EN series PoE injector is an economical PoE with compact design.

* Six levels of energy efficiency (EU Energy-related Products(ErP) directive) for 24VDC output Version.

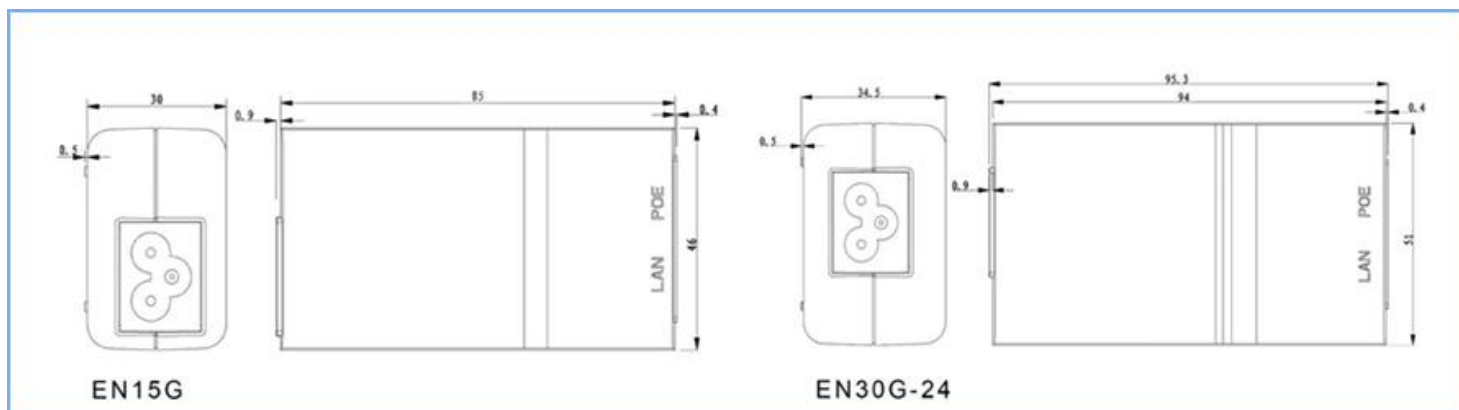
* Power : 15.36W, 30W.

* All models have CE/FCC certification.

* Supports the data speed of 10/100 / 1000Mbps.

* Power cord with US/EU plug or other standard plug(Optional)

Model	IEEE802.3af/at /bt or PoE++	Power	Input	Output	Pin	Working Temperature	Data Speed
EN15G-24-3	passive	15.36W	100-240Vac	24V/640mA	4/5+,7/8-	0°C to +40°C	10/100/1000Mbps
EN15G-3	passive	15.4W	100-240Vac	48V/320mA	4/5+,7/8-	0°C to +40°C	10/100/1000Mbps
EN15GF	af	15.4W	100-240Vac	48V/320mA	4/5+,7/8-	0°C to +40°C	10/100/1000Mbps
EN30G	passive	30W	100-240Vac	52V/580mA	4/5+,7/8-	0°C to +40°C	10/100/1000Mbps
EN30G-24	passive	30W	100-240Vac	24V/1250mA	4/5+,7/8-	0°C to +40°C	10/100/1000Mbps
EN30GT	at	30W	100-240Vac	52V/580mA	4/5+,7/8-	0°C to +40°C	10/100/1000Mbps





Procet PoE Injector 10,100,101,110 Series

The 10,100,101,110 series includes indoor AF/AT PoE injectors.

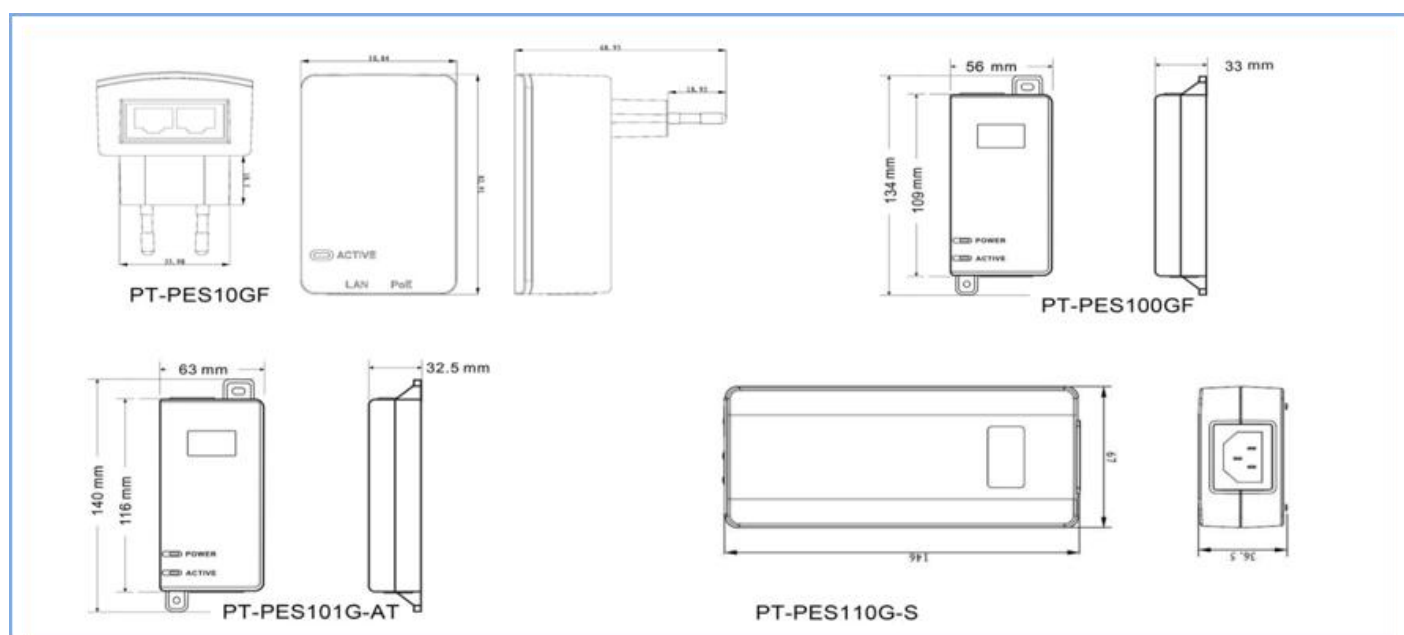
* Designed for the powered 15.4W or 30W PoE Powered Devices (PDs)

* Working temperature: 0°C to +40°C.

* Supports Data Speed of 10/100/1000Mbps.

* Power cord with US/EU plug or other standard plug(Optional)

Model	IEEE802.3af/at/bt or PoE++	Power	Input	Output	Pin	Port	Installation
PT-PSE10GF	af	15.4W	100-240Vac	48V/320mA	4/5+,7/8-	RJ45	plug and play
PT-PSE100GF	af	15.4W	100-240Vac	48V/320mA	4/5+,7/8-	RJ45	Wall-mounted
PT-PSE101G-AT	at	30W	100-240Vac	55V/550mA	4/5+,7/8-	RJ45	Wall-mounted
PT-PSE110G-S	at	30W	100-240Vac	55V/550mA	3/6+,1/2-	SFP	Wall-mounted
PT-PSE100G	Passive	30W	100-240Vac	48V/630mA	4/5+,7/8-	RJ45	Wall-mounted





Procet PoE Injector 104 Series

The 104 series PoE injector is fully compliant with IEEE802.3 af/at/bt or PoE++ standard device

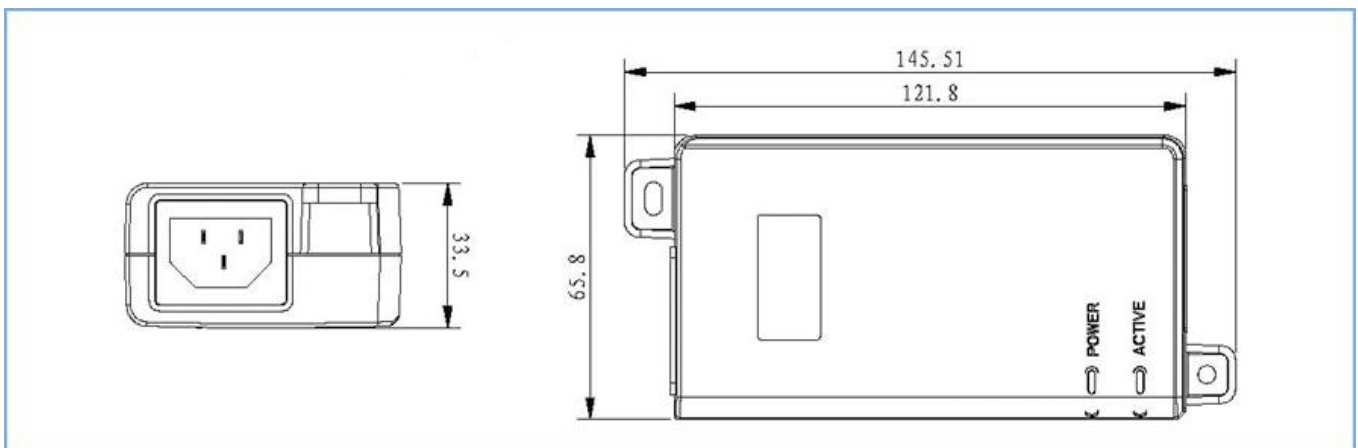
* Power: 30W, 45W or 60W.

* All models have CE / FCC / UL certification.

* Available in 0°C to +40°C or -40°C to +65°C (-40°F~ 149°F), working temperature models.

* Multiple data speed versions to support any application.

Model	IEEE802.3af/at/bt or PoE++	Power	Input	Output	Pin	Working Temperature	Data Speed
PT-PSE104G-30	at	30W	100-240Vac	55V/550mA	4/5+,7/8-	0°C to +40°C	10/100/1000Mbps
PT-PSE104G-30-5	at	30W	100-240Vac	55V/550mA	4/5+,7/8-	0°C to +40°C	2.5/5GbE
PT-PSE104G-30-10	at	30W	100-240Vac	55V/550mA	4/5+,7/8-	0°C to +40°C	10GbE
PT-PSE104GO-30	at	30W	100-240Vac	55V/550mA	4/5+,7/8-	-40°C to +65°C	10/100/1000Mbps
PT-PSE104GO-30-5	at	30W	100-240Vac	55V/550mA	4/5+,7/8-	-40°C to +65°C	2.5/5GbE
PT-PSE104GO-30-10	at	30W	100-240Vac	55V/550mA	4/5+,7/8-	-40°C to +65°C	10GbE
PT-PSE104GB-45	bt or PoE++	45W	100-240Vac	55V/820mA	4/5+,7/8-	0°C to +40°C	10/100/1000Mbps
PT-PSE104GB-60	bt or PoE++	60W	100-240Vac	55V/1100mA	4/5+,7/8-,3/6+,1/2-	0°C to +40°C	10/100/1000Mbps
PT-PSE104GB-60-5	bt or PoE++	60W	100-240Vac	55V/1100mA	4/5+,7/8-,3/6+,1/2-	0°C to +40°C	2.5/5GbE
PT-PSE104GB-60-10	bt or PoE++	60W	100-240Vac	55V/1100mA	4/5+,7/8-,3/6+,1/2-	0°C to +40°C	10GbE





Procet PoE Injector 105 Series

DIN Rail DC Input Version

These 105 Series injectors are DC input, industrial PoE's and are fully compliant with IEEE802.3 af/at/bt or PoE++ standard device

* Power : 30W, 60W or 95W.

* Surge protection up to 6KV and a Working temperature of -40°C to +75°C (-40°F ~ 167°F).

* 12-55VDC input makes it possible for solar application.

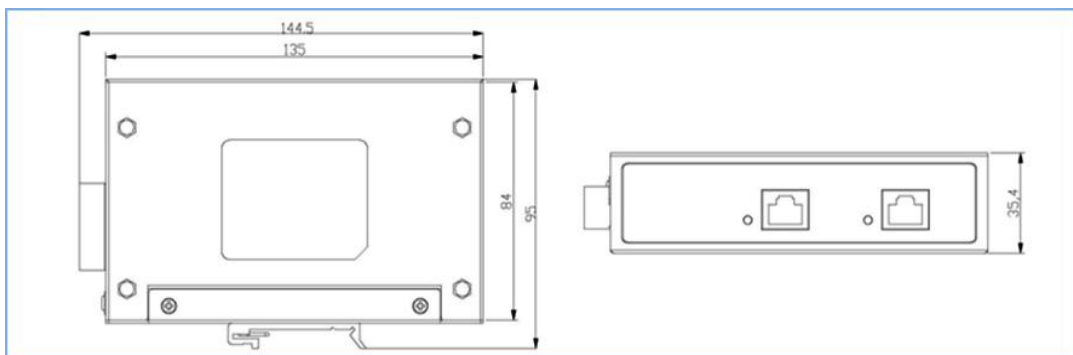
* Dual voltage inputs for redundant power supplies applications.

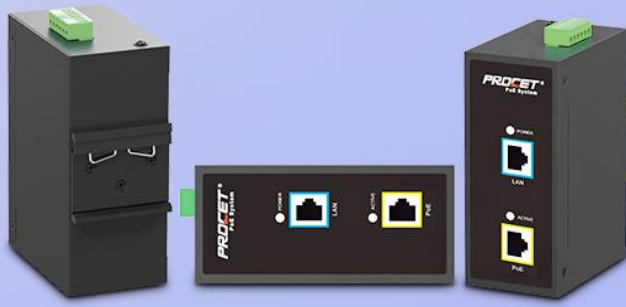
* IP40 high-impact metal housing

* 5-Year Warranty

* Multiple data speed versions to support any application.

Model	IEEE802.3af/at/bt or PoE++	Power	Input	Output	Pin	Data Speed
PT-PSE105G-E	at	30W	12-48Vdc	55V/550mA	4/5+,7/8-	10/100/1000Mbps
PT-PSE105G-E-5	at	30W	12-48Vdc	55V/550mA	4/5+,7/8-	2.5/5GbE
PT-PSE105G-E-10	at	30W	12-48Vdc	55V/550mA	4/5+,7/8-	10GbE
PT-PSE105G-D	at	30W	44-57Vdc	44-55Vdc	4/5+,7/8-	10/100/1000Mbps
PT-PSE105G-D-5	at	30W	44-57Vdc	44-55Vdc	4/5+,7/8-	2.5/5GbE
PT-PSE105G-D-10	at	30W	44-57Vdc	44-55Vdc	4/5+,7/8-	10GbE
PT-PSE105GB-E	bt or PoE++	60W	12-55Vdc	55V/1100mA	1/2-,3/6+ and 4/5+,7/8-	10/100/1000Mbps
PT-PSE105GW-E						
PT-PSE105GB-E-10	bt	60W	12-55Vdc	55V/1100mA	1/2-,3/6+ and 4/5+,7/8-	10GbE
PT-PSE105GW-E-10	PoE++	60W	12-55Vdc	55V/1100mA	1/2-,3/6+ and 4/5+,7/8-	10GbE
PT-PSE105GB-D	bt or PoE++	60W	50-57Vdc 2.0A	48-55Vdc 1.1A	1/2-,3/6+ and 4/5+,7/8-	10/100/1000Mbps
PT-PSE105GW-D						
PT-PSE105GB-D-10	bt	60W	50-57Vdc 2.0A	48-55Vdc 1.1A	1/2-,3/6+ and 4/5+,7/8-	10GbE
PT-PSE105GW-D-10	PoE++	60W	50-57Vdc 2.0A	48-55Vdc 1.1A	1/2-,3/6+ and 4/5+,7/8-	10GbE
PT-PSE105GBH-E	bt or PoE++	95W	12-55Vdc	55V/1750mA	1/2-,3/6+ and 4/5+,7/8-	10/100/1000Mbps
PT-PSE105GWH-E						
PT-PSE105GBH-E-10	bt	95W	12-55Vdc	55V/1750mA	1/2-,3/6+ and 4/5+,7/8-	10GbE
PT-PSE105GWH-E-10	PoE++	95W	12-55Vdc	55V/1750mA	1/2-,3/6+ and 4/5+,7/8-	10GbE
PT-PSE105GBH-D	bt or PoE++	95W	50-57Vdc 2.0A	48-55Vdc 1.75A	1/2-,3/6+ and 4/5+,7/8-	10/100/1000Mbps
PT-PSE105GWH-D						
PT-PSE105GWH-D-10	PoE++	95W	50-57Vdc 2.0A	48-55Vdc 1.75A	1/2-,3/6+ and 4/5+,7/8-	10GbE
PT-PSE105GBH-D-10	bt	95W	50-57Vdc 2.0A	48-55Vdc 1.75A	1/2-,3/6+ and 4/5+,7/8-	10GbE
PT-PSE105G-F-24	af	12W	802.3af	24Vdc 500mA	4/5+,7/8-	10/100/1000Mbps
PT-PSE105G-T-24	at	25.2W	802.3at	24Vdc 1050mA	4/5+,7/8-	10/100/1000Mbps





Procet PoE Injector 105 Series

DIN Rail AC&DC Input Version

These 105 Series injectors are AC&DC Input, industrial PoE's. and are fully compliant with IEEE802.3 af/at/bt or PoE++ standard device

* Power: 30W, 60W or 95W

* Support AC or DC input

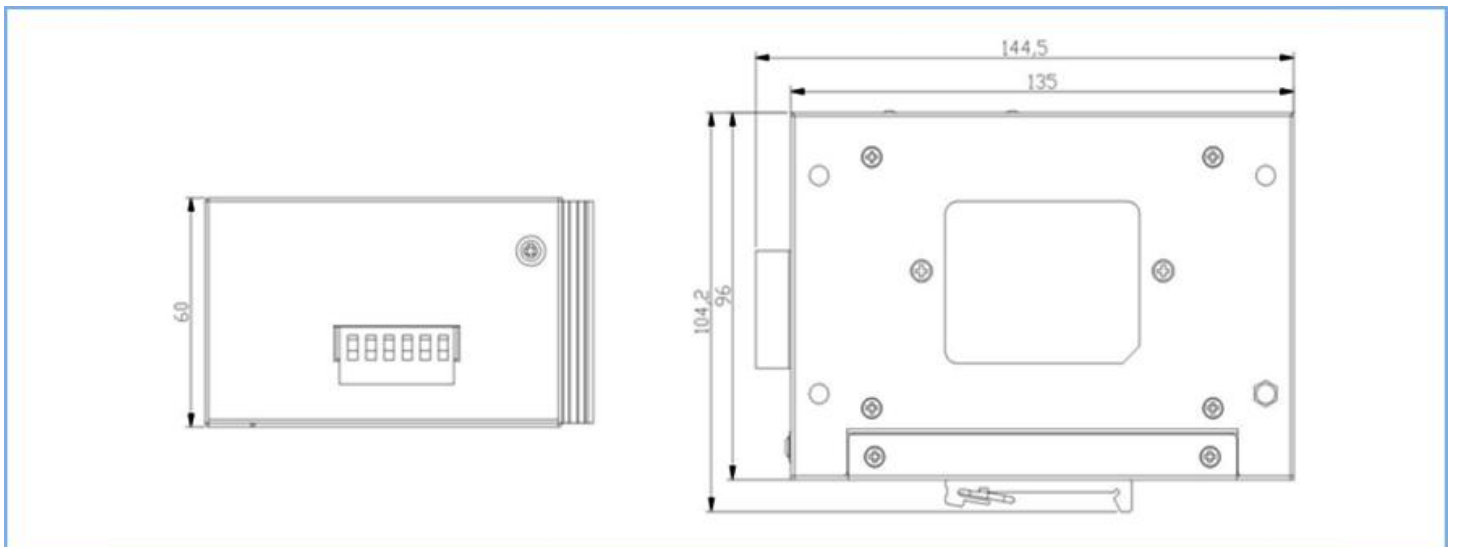
* Surge protection up to 6KV and a Working temperature of -40°C to +65°C (-40°F~ 149°F).

* 10/100/1000Mbps and 10GbE data speed versions.

* IP40 high-impact metal housing

* 5-Year Warranty.

Model	IEEE802.3af/at/bt or PoE++	Power	Input	Output	Pin	Data Speed
PT-PSE105G-AC	at	30W	100-240Vac or 44-57Vdc	55Vdc/550mA@AC input 44-55Vdc@DC input	4/5+,7/8-	10/100/1000Mbps
PT-PSE105G-AC-10	at	30W	100-240Vac or 44-57Vdc	55Vdc/550mA@AC input 44-55Vdc@DC input	4/5+,7/8-	10GbE
PT-PSE105GW-AC	PoE++	60W	100-240Vac or 50-57Vdc	55Vdc/1100mA@AC input 48-55Vdc@DC input	1/2-,3/6+ and 4/5+,7/8-	10/100/1000Mbps
PT-PSE105GW-AC-10	PoE++	60W	100-240Vac or 50-57Vdc	55Vdc/1100mA@AC input 48-55Vdc@DC input	1/2-,3/6+ and 4/5+,7/8-	10GbE
PT-PSE105GB-AC	bt	60W	100-240Vac or 50-57Vdc	55Vdc/1100mA@AC input 48-55Vdc@DC input	1/2-,3/6+ and 4/5+,7/8-	10/100/1000Mbps
PT-PSE105GB-AC-10	bt	95W	100-240Vac or 50-57Vdc	55Vdc/1100mA@AC input 48-55Vdc@DC input	1/2-,3/6+ and 4/5+,7/8-	10GbE





Procet PoE Injector 105 Series

DIN Rail Fiber PoE

These 105 Series injectors are industrial PoE's with fiber a port. and are fully compliant with IEEE802.3 af/at/bt or PoE++ standard device

* Power: 30W, 60W or 95W.

* The DC Version supports dual voltage inputs for redundant power supply application. The AC/DC version supports either voltage.

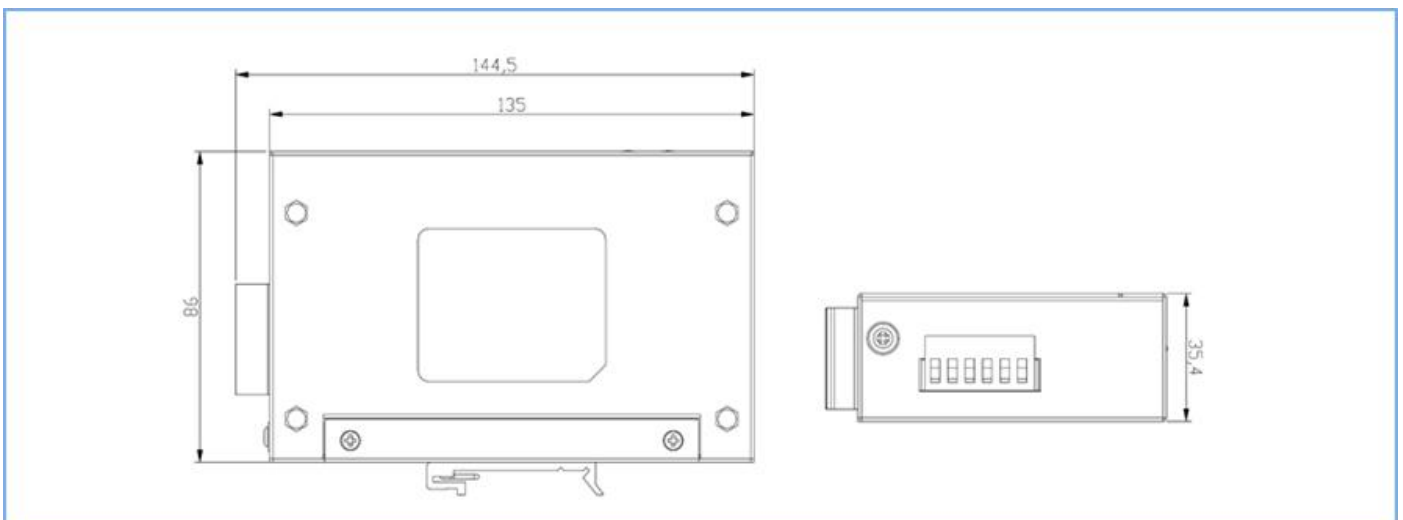
* Surge protection up to 6KV and a Working temperature of -40°C to +75°C (-40°F~ 167°F).

* Supports the data speed of 1000Mbps (Gigabit).

* IP40 high-impact metal housing

* 5-Year Warranty

Model	IEEE802.3af/at/ bt or PoE++	Power	Input	Output	Pin
PT-PSE105GS-E	at	30W	12-55Vdc	55V/550mA	4/5+,7/8-
PT-PSE105GS-D	at	30W	44-57Vdc	44-55Vdc	4/5+,7/8-
PT-PSE105GS-AC	at	30W	100-240Vac or 44-57Vdc	55Vdc/550mA@AC input 44-55Vdc@DC input	1/2-,3/6+ and 4/5+,7/8-
PT-PSE105GWS-D PT-PSE105GWLS-D	bt or PoE++	60W	50-57Vdc 2.0A	48-55Vdc 1.1A	1/2-,3/6+ and 4/5+,7/8-
PT-PSE105GWS-E PT-PSE105GWLS-E	bt or PoE++	60W	12-55Vdc	55V/1100mA	1/2-,3/6+ and 4/5+,7/8-
PT-PSE105GBS-AC PT-PSE105GWS-AC	bt or PoE++	60W	100-240Vac or 50-57Vdc	55Vdc/1100mA@AC input 48-55Vdc@DC input	1/2-,3/6+ and 4/5+,7/8-
PT-PSE105GBS-E PT-PSE105GBLS-E	bt or PoE++	95W	12-55Vdc	55V/1750mA	1/2-,3/6+ and 4/5+,7/8-
PT-PSE105GBS-D	bt	95W	50-57Vdc 2.0A	50-57Vdc 2.0A	1/2-,3/6+ and 4/5+,7/8-
PT-PSE105GBLS-D	PoE++	95W	50-57Vdc 2.0A	50-57Vdc 2.0A	1/2-,3/6+ and 4/5+,7/8-





Procet Din Rail Multi-Port PoE

DIN Rail multi-port AC&DC Input Version

These Din Rail multi-port Seires are AC&DC Input, industrial PoE's, and are fully compliant with IEEE802.3 af/at standard device

* Power: 15.4W 30W

* Support AC or DC input

* Surge protection up to 4KV and a Working temperature of -40°C to+65°C (-40°F~ 149°F).

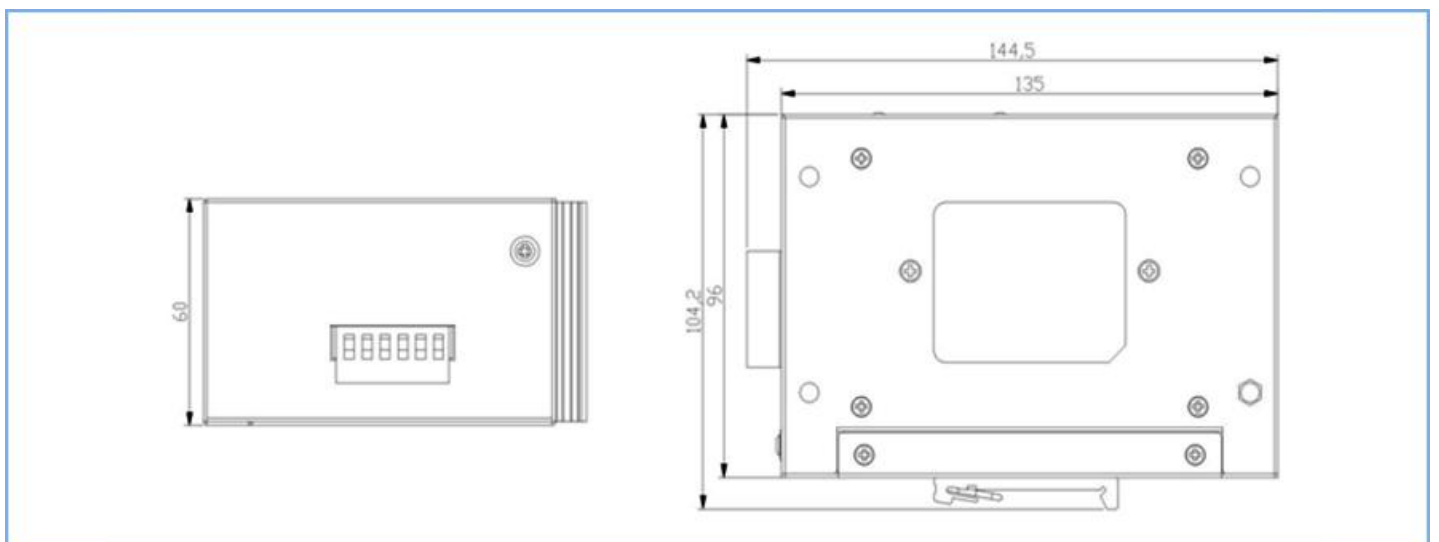
* Media converter: SFP to PoE, can be used as PoE injector. Port SFP-Fiber data uplink. SFP slot support Multi mode and Single mode SFP transceiver(SFP transceiver do not included) 1000Base-FX to 10/100/1000Base-TX.

All SFP and PoE ports can be active with switching data simultaneously

* IP40 high-impact metal housing

* 5-Year Warranty.

Model	IEEE802.3af/at/ bt or PoE++	Power	Input	Output	Pin	Port
PT-PIS401GS-AC	af	4*15.4W total 60W	100-240Vac	48V/320mA	4/5+,7/8-	Input AC *1+SFP*1 Output PoE*4
PT-PIS401GS-E	af	4*15.4W total 60W	12-55Vdc	48V/320mA	4/5+,7/8-	Input DC *1+SFP*1 Output PoE*4
PT-PIS2P2S-DC	at	2*30W total 60W	50-57Vdc 2.0A	48-55Vdc 0.55A	4/5+,7/8-	Input DC *1+SFP*2 Output PoE*2
PT-PIS2PW2S-DC	PoE++	2*60W total 120W	50-57Vdc 2.0A	48-55Vdc 1.1A	1/2-,3/6+ and 4/5+,7/8-	Input DC *1+SFP*2 Output PoE*2
PT-PIS2P2S-AC	at	2*30W total 60W	100-240Vac	55V/550mA	4/5+,7/8-	Input AC *1+SFP*2 Output PoE*2
PT-PIS4PL-AC	af/at	2*30W(Max) total 60W	100-240Vac	55V/550mA	4/5+,7/8-	Input AC *1+LAN*1 Output PoE*4





Procet PoE Injector 106 Series

AC Input Version

These 106 series AC input PoE injectors are fully compliant with IEEE802.3 af/at/bt or PoE++ standard device

* Power : 30W, 60W, 75W or 90W.

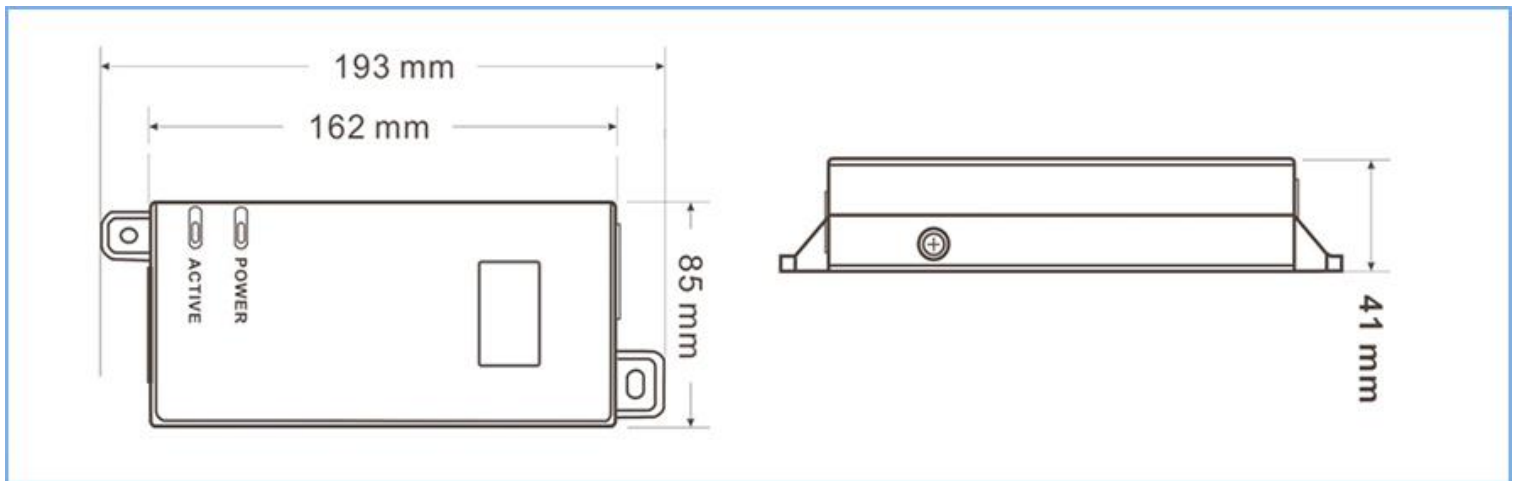
* Available in 0°C to +40°C or -40°C to +65°C (-40°F ~ 149°F), working temperature models.

* Multiple data speed versions to support any application.

* IP40 fire-retardant plastic housing.

* 2-Year Warranty

Model	IEEE802.3af/at/bt or PoE++	Power	Input	Output	Pin	Working Temperature	Data Speed	Surge Protection	Certification
PT-PSE106GRO	at	30W	100-240Vac	55V/550mA	4/5+,7/8-	-40°C to +65°C	10/100/1000Mbps	PoE 6KV	CE/FCC
PT-PSE106GW	bt or PoE++	60W	100-240Vac	55V/1100mA	1/2-,3/6+ and 4/5+,7/8-	0°C to +40°C	10/100/1000Mbps	-	CE/FCC/UL/cUL/ CB/PSE/SAA
PT-PSE106GW-AR V5.0	bt or PoE++	60W	100-240Vac	55V/1100mA	1/2-,3/6+ and 4/5+,7/8-	0°C to +40°C	2.5GbE	PoE 6KV	CE/FCC/UL/cUL/ CB/PSE/SAA
PT-PSE106GW-AR	bt or PoE++	60W	100-240Vac	55V/1100mA	1/2-,3/6+ and 4/5+,7/8-	0°C to +40°C	10/100/1000Mbps	PoE 6KV	CE/FCC/UL/cUL/ CB/PSE/SAA
PT-PSE106GWN-AR	Passive	60W	100-240Vac	55V/1100mA	1/2+,3/6- and 4/5+,7/8-	0°C to +40°C	10/100/1000Mbps	PoE 6KV	CE/FCC
PT-PSE106GWH	bt or PoE++	75W	100-240Vac	55V/1360mA	1/2-,3/6+ and 4/5+,7/8-	0°C to +40°C	10/100/1000Mbps	-	-
PT-PSE106GWH-AR	bt or PoE++	75W	100-240Vac	55V/1360mA	1/2-,3/6+ and 4/5+,7/8-	0°C to +40°C	10/100/1000Mbps	PoE 6KV	CE/FCC





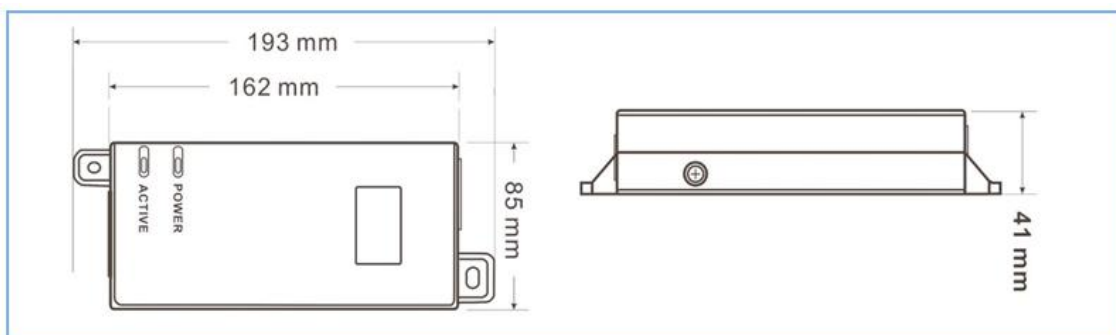
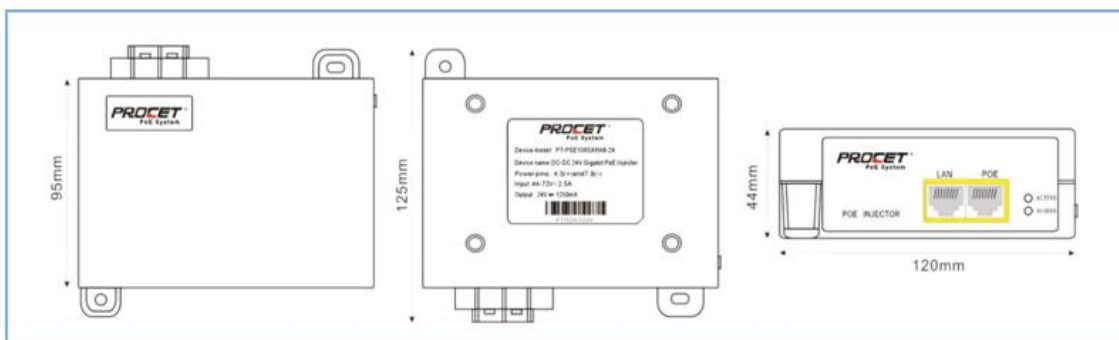
Procet PoE Injector 106 Series

Passive 24V, 48V Output Version & DC Input Version

These 106 series Passive 24V, 48V Output Version & DC Input version are fully compliant with IEEE802.3af/at/bt or PoE++ standard device.

- * Power: 30W, 60W, or 75W
- * Working temperature: 0°C to +40°C .
- * Supports data speed of 10/100/1000Mbps.
- * IP40 plastic housing.
- * 2-Year Warranty .

Model	IEEE802.3af/at/bt or PoE++	Power	Input	Output	Pin	Surge Protection	Certification
Passive 24V, 48V Output Version							
PT-PSE106SA48-24	Passive	30W	44-72Vdc	24V/1250mA	4/5+,7/8-	-	-
PT-PSE106SAR48-24	Passive	30W	44-72Vdc	24V/1250mA	4/5+,7/8-	PoE 6KV	-
PT-PSE106GAR-48	Passive	30W	44-57Vdc	44-57Vdc	4/5+,7/8-	PoE 6KV	-
DC Input Version							
PT-PSE106GW-D	bt or PoE++	60W	36-72Vdc 2.5A	55V/1100mA	1/2-,3/6+ and 4/5+,7/8-	-	CE/FCC
PT-PSE106GW-AR-D	bt or PoE++	60W	36-72Vdc 2.5A	55V/1100mA	1/2-,3/6+ and 4/5+,7/8-	PoE 6KV	CE/FCC
PT-PSE106GWH-AR-D	bt or PoE++	75W	36-72Vdc 2.5A	55V/1360mA	1/2-,3/6+ and 4/5+,7/8-	PoE 6KV	CE/FCC
PT-PSE106GWH-D	bt or PoE++	75W	36-72Vdc 2.5A	55V/1360mA	1/2-,3/6+ and 4/5+,7/8-	-	CE/FCC





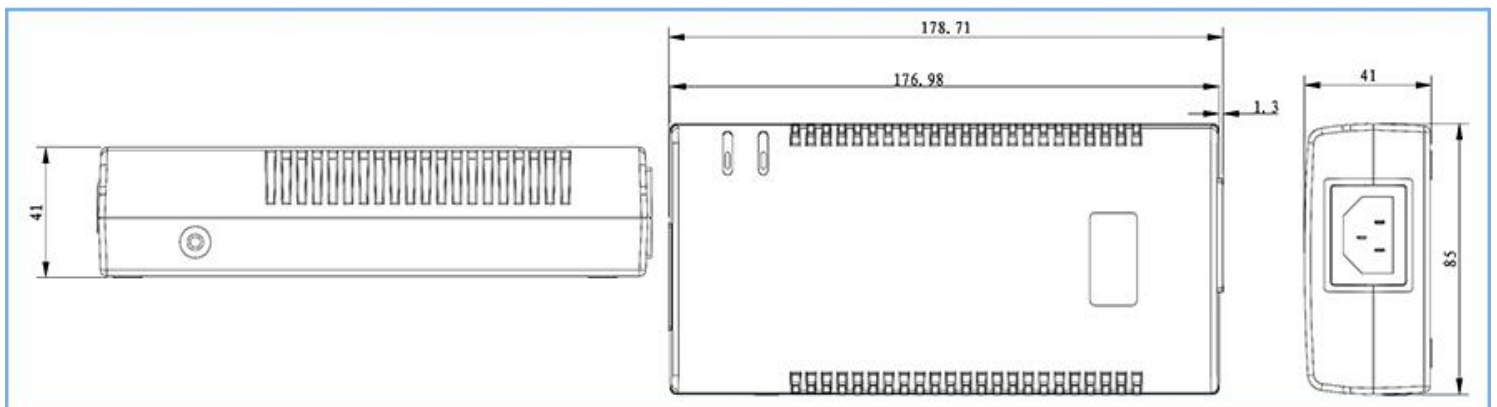
Procet PoE Injector 106 Series

90W Version

These 106 series 90W PoE injectors are fully compliant with IEEE802.3 af/at/bt or PoE++ or passive standard device.

- * Power : 90W.
- * All models have CE / FCC certification.
- * Available in 0°C to +40°C working temperature models.
- * Multiple data speed versions to support any application.
- * IP40 fire-retardant plastic housing.
- * 2-Year Warranty

Model	IEEE802.3af/at/bt or PoE++	Power	Input	Output	Pin	Data Speed	Surge Protection
PT-PSE106GBR	bt	90W	100-240Vac	55V/1640mA	1/2-,3/6+ and 4/5+,7/8-	10/100/1000Mbps	PoE 6KV
PT-PSE106GBR-10	bt	90W	100-240Vac	55V/1640mA	1/2-,3/6+ and 4/5+,7/8-	10GbE	PoE 6KV
PT-PSE106GB	bt	90W	100-240Vac	55V/1640mA	1/2-,3/6+ and 4/5+,7/8-	10/100/1000Mbps	-
PT-PSE106GBR-L	PoE++	90W	100-240Vac	55V/1640mA	1/2-,3/6+ and 4/5+,7/8-	10/100/1000Mbps	PoE 6KV
PT-PSE106GB-L	PoE++	90W	100-240Vac	55V/1640mA	1/2-,3/6+ and 4/5+,7/8-	10/100/1000Mbps	-
PT-PSE106GBR-10L	PoE++	90W	100-240Vac	55V/1640mA	1/2-,3/6+ and 4/5+,7/8-	10GbE	PoE 6KV
PT-PSE106GBRN	passive	90W	100-240Vac	55V/1640mA	1/2-,3/6+ and 4/5+,7/8-	10/100/1000Mbps	PoE 6KV
PT-PSE106GBRN-10	passive	90W	100-240Vac	55V/1640mA	1/2-,3/6+ and 4/5+,7/8-	10GbE	PoE 6KV





Procet PoE Injector 107 Series

The 107 series Industrial, high power PoE injectors are fully compliant with IEEE802.3 af/at/bt or PoE++ standard device

* Power: 60W or 75W.

* All models have CE / FCC certification.

* Working temperature : -40°C to +65°C (-40°F~ 149°F).

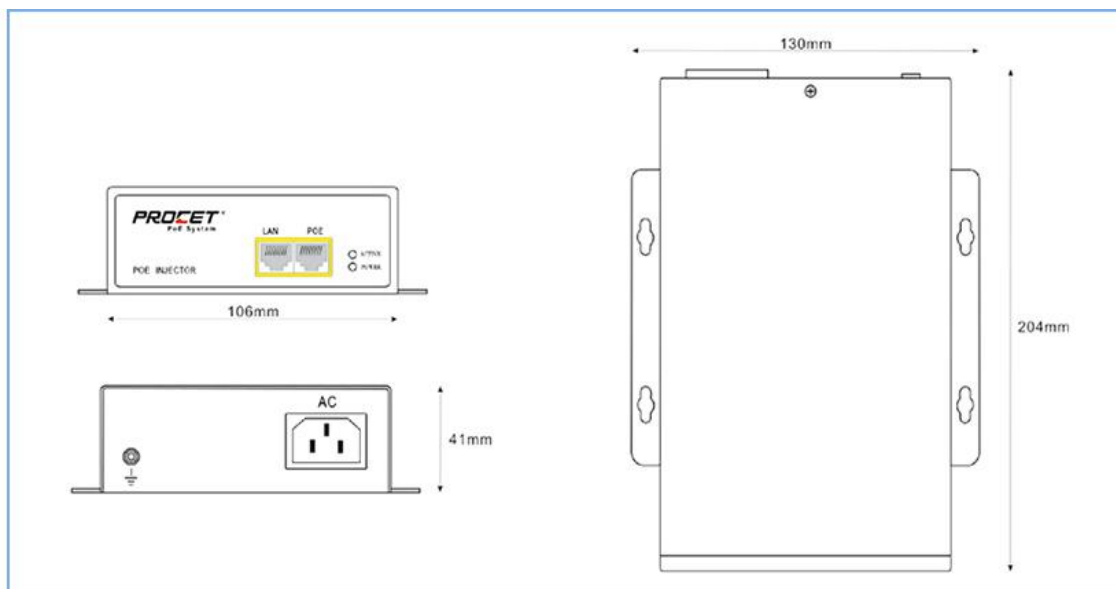
* 10/100/1000Mbps (Gigabit) and 10GbE data speed versions.

* IP40 high-impact metal housing.

* 5-Year Warranty .

* Power Cord with US/EU plug or other standard plug (optional).

Model	IEEE802.3af/at/bt or PoE++	Power	Input	Output	Pin	surge protection	Port	Data Speed
PT-PSE107GRO	bt or PoE ++	60W	100-240Vac	55V/1100mA	1/2-,3/6+ and 4/5+,7/8-	PoE 6KV	RJ45	10/100/1000Mbps
PT-PSE107GRO-A	bt or PoE ++	60W	100-240Vac	55V/1100mA	1/2-,3/6+ and 4/5+,7/8-	AC+PoE 6KV	RJ45	10/100/1000Mbps
PT-PSE107GRO-A-10	bt or PoE ++	60W	100-240Vac	55V/1100mA	1/2-,3/6+ and 4/5+,7/8-	AC+PoE 6KV	RJ45	10GbE
PT-PSE107GRO-S	bt or PoE ++	60W	100-240Vac	55V/1100mA	1/2-,3/6+ and 4/5+,7/8-	PoE 4KV	RJ45+SFP	1000Mbps
PT-PSE107GHRO	bt or PoE ++	75W	100-240Vac	55V/1360mA	1/2-,3/6+ and 4/5+,7/8-	PoE 6KV	RJ45	10/100/1000Mbps
PT-PSE107GHRO-A	bt or PoE ++	75W	100-240Vac	55V/1360mA	1/2-,3/6+ and 4/5+,7/8-	AC+PoE 6KV	RJ45	10/100/1000Mbps
PT-PSE107GHRO-A-10	bt or PoE ++	75W	100-240Vac	55V/1360mA	1/2-,3/6+ and 4/5+,7/8-	AC+PoE 6KV	RJ45	10GbE
PT-PSE107GHRO-S	bt or PoE ++	75W	100-240Vac	55V/1360mA	1/2-,3/6+ and 4/5+,7/8-	PoE 4KV	RJ45+SFP	1000Mbps
PT-PSE107GHRO-S-A	bt or PoE ++	75W	100-240Vac	55V/1360mA	1/2-,3/6+ and 4/5+,7/8-	AC 6KV + PoE 4KV	RJ45+SFP	1000Mbps





Procet PoE Injector 108 AC Series

The 108 AC series PoE injectors have an IP-67 rated, Aluminum case for outdoor applications.

* PoE&AC surge protection up to 6KV and a Working temperature specification of -40°C to +65°C (-40°F~ 149°F).

* Power: 30W, 60W, 90W,95W or 120W.

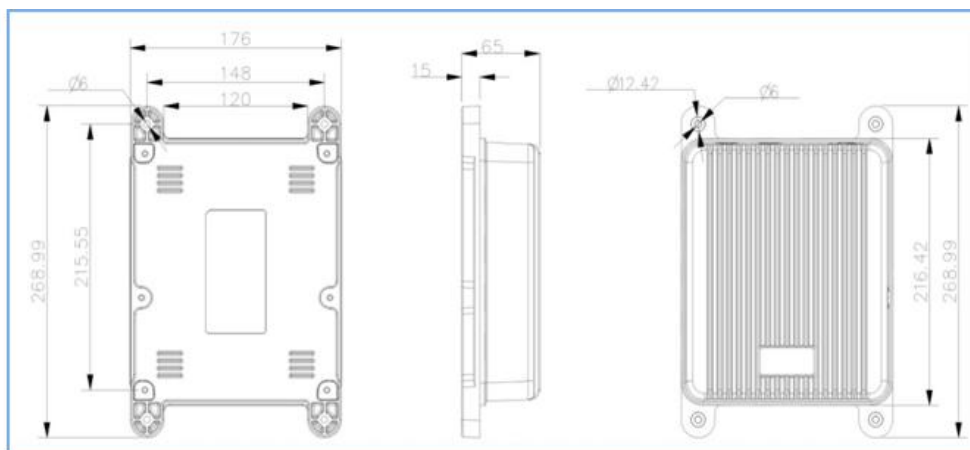
* Compliant with IEEE802.3 af/at/bt or PoE++ standard

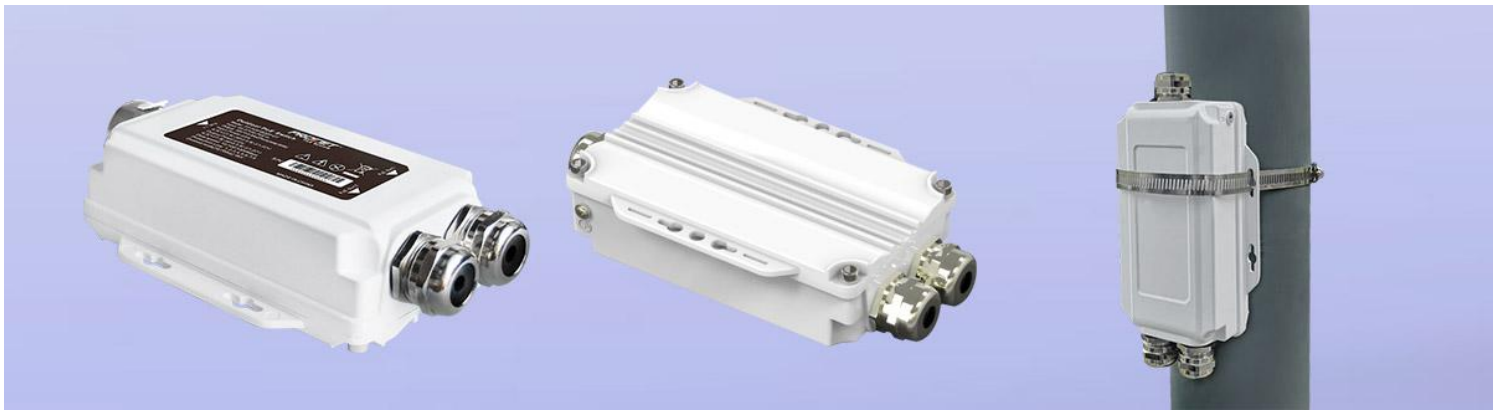
* Most models have UL / CE certification.

* Supports dataspeeds of 10/100/1000Mbps.

* 3-Year Warranty

Model	IEEE802.3af/at/bt or PoE++	Power	Input	Output	Pin	Working Temperature	Data Speed
PT-PSE108GR-OT	at	30W	100-240Vac	55V/550mA	4/5+,7/8-	-40°C to +65°C	10/100/1000Mbps
PT-PSE108GWBR-OT	bt or PoE++	60W	100-240Vac	55V/1100mA	1/2-,3/6+ and 4/5+,7/8-	-40°C to +65°C	10/100/1000Mbps
PT-PSE108GBR-OT-90	bt or PoE++	90W	100-240Vac	55V/1640mA	1/2-,3/6+ and 4/5+,7/8-	-40°C to +65°C	10/100/1000Mbps
PT-PSE108GBR-OT	bt or PoE++	95W	100-240Vac	55V/1750mA	1/2-,3/6+ and 4/5+,7/8-	-40°C to +65°C	10/100/1000Mbps
PT-PSE108GXR-OT	PoE++	120W	100-240Vac	55V/2200mA	1/2-,3/6+ and 4/5+,7/8-	-40°C to +65°C	10/100/1000Mbps
PT-POT-MBK	Outdoor installation Kit(Pole mounting) Match well with all Procet's outdoor PSE and PoE Switch						





Procet PoE Injector 108 DC Series

The 108 DC series PoE injectors have an IP-67 rated, Aluminum case for outdoor applications.

* PoE surge protection up to 6KV and a Working temperature specification of -40°C to +65°C (-40°F~ 149°F).

* Power: 30W, 60W, 95W.

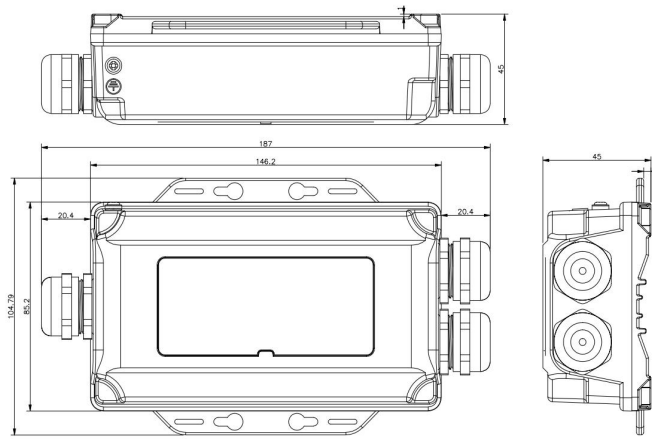
* Compliant with IEEE802.3 af/at/bt or PoE++ standard

* With Stainless Steel Cable ties can be fixed on a Pole

* Supports dataspeeds of 10/100/1000Mbps.

* 3-Year Warranty

Model	IEEE802.3af/at/bt or PoE++	Power	Input	Output	Pin	Port	Data Speed
PT-PSE108GR-OT-DE	AT	30W	12-55Vdc	55V/550mA	4/5+,7/8-	-40°C to +65°C	10/100/1000Mbps
PT-PSE108GR-OT-10DE	AT	30W	12-55Vdc	55V/550mA	4/5+,7/8-	-40°C to +65°C	10/100/1000Mbps
PT-PSE108GBTR-OT-DE	BT	95W	12-55Vdc	55V/1750mA	1/2-,3/6+ and 4/5+,7/8-	-40°C to +65°C	10/100/1000Mbps
PT-PSE108GBR-OT-DE	PoE++	95W	12-55Vdc	55V/1750mA	1/2-,3/6+ and 4/5+,7/8-	-40°C to +65°C	10/100/1000Mbps
PT-PSE108GBTR-OT-10DE	BT	95W	12-55Vdc	55V/1750mA	1/2-,3/6+ and 4/5+,7/8-	-40°C to +65°C	10GbE
PT-PSE108GBR-OT-10DE	PoE++	95W	12-55Vdc	55V/1750mA	1/2-,3/6+ and 4/5+,7/8-	-40°C to +65°C	10GbE



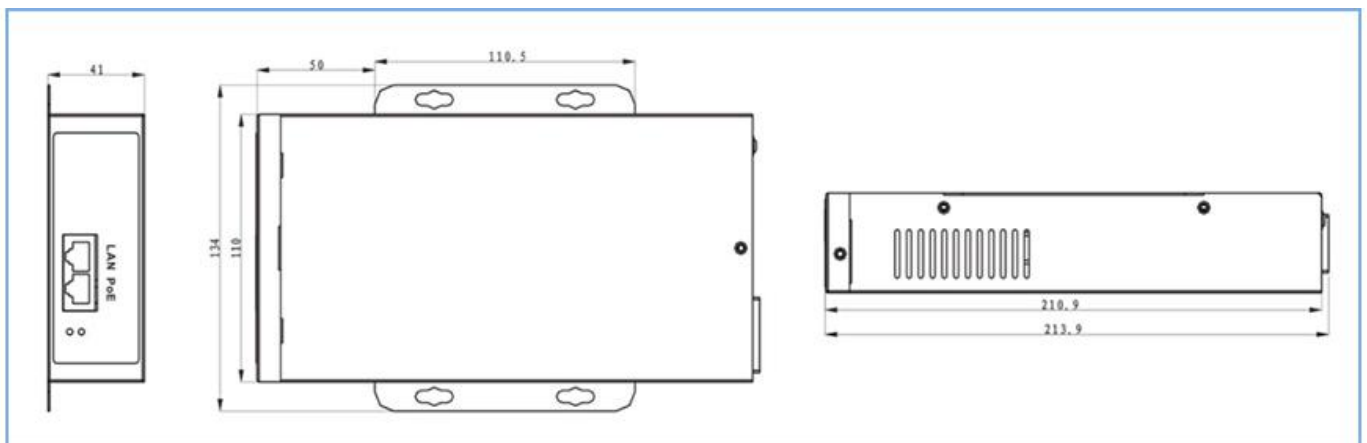


Procet PoE Injector 109 Series

The 109 series injectors is industrial PoE's. and are fully compliant with IEEE802.3 af/at/bt or PoE ++ standard devices

- * High power up to 95W, 120W or 160W.
- * Working temperature: -40°C to +65°C (-40°F~ 149°F).
- * PoE surge protection up to 6KV for all models and AC surge protection up to 6KV on select models.
- * 10/100 / 1000Mbps and 10GbE data speed versions.
- * IP20 high-impact metal housing.
- * 5-Year Warranty

Model	IEEE802.3af/at/bt or PoE++	Power	Input	Output	Pin	Data Speed	Surge Protection	Certification
PT-PSE109GBRO	bt or PoE ++	95W	100-240Vac	55V/1750mA	1/2-,3/6+ and 4/5+,7/8-	10/100/1000Mbps	PoE 6KV	CE/FCC/UL/RCM/UKrain/EAC/UKCA/NOM
PT-PSE109GBRO-N	Passive	95W	100-240Vac	55V/1750mA	1/2-,3/6+ and 4/5+,7/8-	10/100/1000Mbps	PoE 6KV	CE/FCC
PT-PSE109GBRO-A	bt or PoE ++	95W	100-240Vac	55V/1750mA	1/2-,3/6+ and 4/5+,7/8-	10/100/1000Mbps	AC+PoE 6KV	CE/FCC/UL/RCM/UKrain/EAC/UKCA/NOM
PT-PSE109GBRO-A-N	Passive	95W	100-240Vac	55V/1750mA	1/2-,3/6+ and 4/5+,7/8-	10/100/1000Mbps	AC+PoE 6KV	CE/FCC
PT-PSE109GBRO-A-10	bt or PoE ++	95W	100-240Vac	55V/1750mA	1/2-,3/6+ and 4/5+,7/8-	10GbE	AC+PoE 6KV	-
PT-PSE109GBRO-A-S	bt or PoE ++	95W	100-240Vac	55V/1750mA	1/2-,3/6+ and 4/5+,7/8-	1000Mbps	AC+PoE 6KV	UL/CE/FCC
PT-PSE109GRM-A	PoE ++	120W	100-240Vac	55V/2200mA	1/2-,3/6+ and 4/5+,7/8-	10/100/1000Mbps	AC+PoE 6KV	CE/FCC/UL/RCM/UKrain/EAC/UKCA
PT-PSE109GRMN	Passive	120W	100-240Vac	55V/2200mA	1/2-,3/6+ and 4/5+,7/8-	10/100/1000Mbps	PoE 6KV	-
PT-PSE109GXR	PoE ++	160W	100-240Vac	55V/2900mA	1/2-,3/6+ and 4/5+,7/8-	10/100/1000Mbps	PoE 6KV	-
PT-PSE109GXRN	Passive	160W	100-240Vac	55V/2900mA	1/2-,3/6+ and 4/5+,7/8-	10/100/1000Mbps	PoE 6KV	-



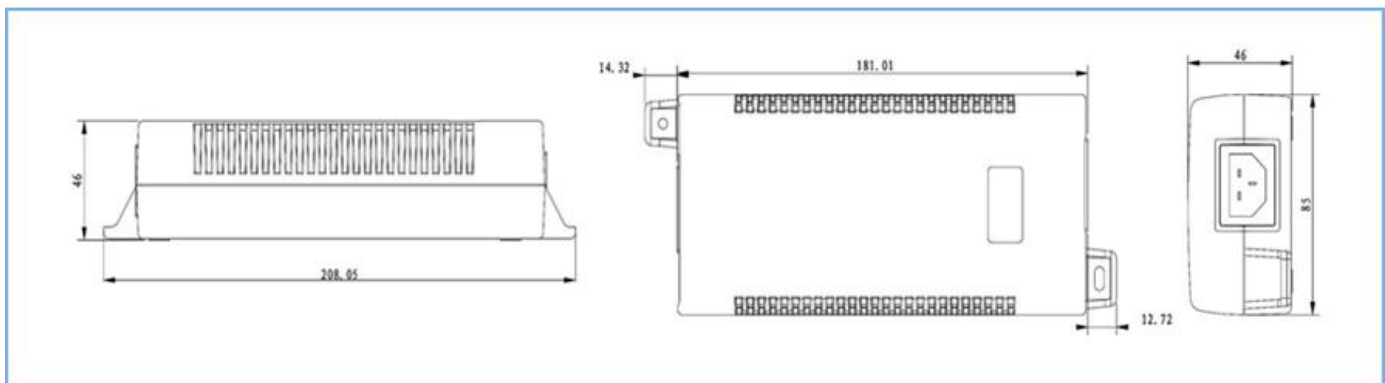


Procet PoE Injector 206 Series

The 206 series are dual-port PoE Injector and fully compliant with IEEE802.3 at&bt or PoE++ standard

- * 4KV surge protection for AC port
- * Power: 30W or 60W
- * Working temperature: -30°C to +55°C (-22°F ~ 131°F).
- * BACK-BACK PoE that is Signal transfer between two PoE Ports
- * IP40 fire-retardant plastic housing.
- * Power cord with US/EU plug or other standard plug (Optional)
- * 2-Year Warranty

Model	IEEE802.3af/at/bt or PoE++	Power	Input	Output	Pin	Data Speed
PT-PSE206GW-A	bt or PoE++	60W	100-240Vac	55Vdc 550mA×2 ports 60W single port	1/2-,3/6+ and 4/5+,7/8-	10/100/1000Mbps
PT-PSE206GWN-A	passive	60W	100-240Vac	55Vdc 550mA×2 ports 60W single port	1/2-,3/6+ and 4/5+,7/8-	10/100/1000Mbps





Procet Outdoor PoE Switch Series

The PoE Switch series have an IP-67 rated, aluminum case for outdoor applications.

* PoE&AC input surge protection up to 6KV and a Working temperature specification of -40°C to +65°C (-40°F~ 149°F).

* Power : 30W, 60W or 95W

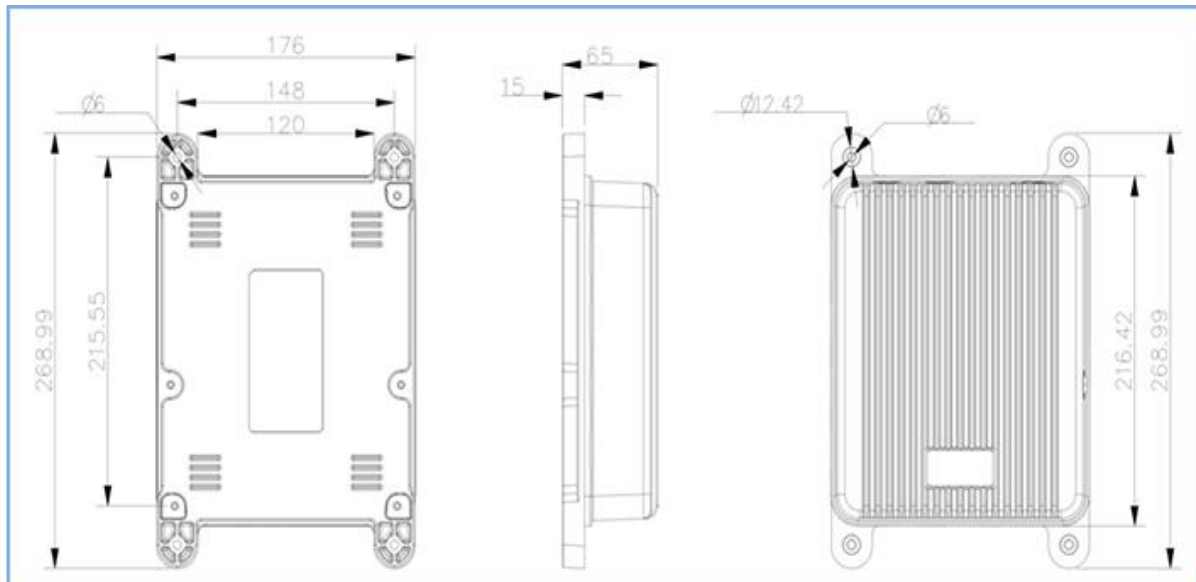
* Compliant with IEEE802.3 af/at/bt or PoE++ standard

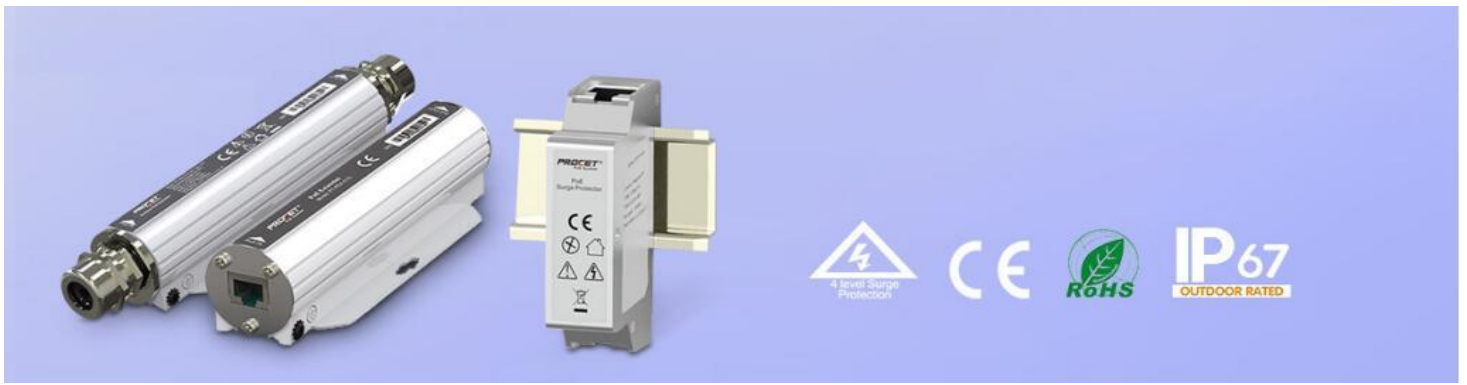
* Most models have UL / CE certification.

* Supports the dataspeeds of 1000Mbps(Gigabit).

* 3-Year Warranty

Model	IEEE802.3af/at/bt or PoE++	GbE PoE Port	Power Budget	Input	Output	Pin	Port	Data Speed	
PT-POS401GRF-OT	at	3*30W	90W	100-240Vac	55Vdc 550mA	1/2-,3/6+	input AC *1+SFP*1 output PoE*3	1000Mbps	
PT-POS401GR-OT	at	3*30W	90W	100-240Vac	55Vdc 550mA	1/2-,3/6+	input AC *1+LAN*1 output PoE*3	10/100/1000Mbps	
PT-POS401GR-OT-D	at	3*30W	90W	PoE++ at 95W(Min)	55Vdc 550mA	4 pair input: 1/2-,3/6+ and 4/5+,7/8- 2 pair input 1/2-,3/6+	input PoE*1 output PoE*3	10/100/1000Mbps	
PT-POS201GBRF-OT	bt or PoE++	1*95W	95W	100-240Vac	55Vdc 1750mA	4/5+,7/8-	input AC *1+SFP*1 output PoE*1	1000Mbps	
PT-POS301GWRF-OT	bt or PoE++	2*60W	120W	100-240Vac	55Vdc 1100mA	1/2-,3/6+ and 4/5+,7/8-	input AC *1+SFP*1 output PoE*2	1000Mbps	
PT-POT-MBK	Outdoor installation Kit(Pole mounting) Match well with all Procet's outdoor PSE and PoE Switch								





Procet PoE Surge Protector Series

The PoE Surge Protector Series devices are industrial grade PoE surge protectors with an aluminium alloy shell or DIN Rail Zinc alloy surge protector

* No power supply is needed.

* 4 level surge protection.

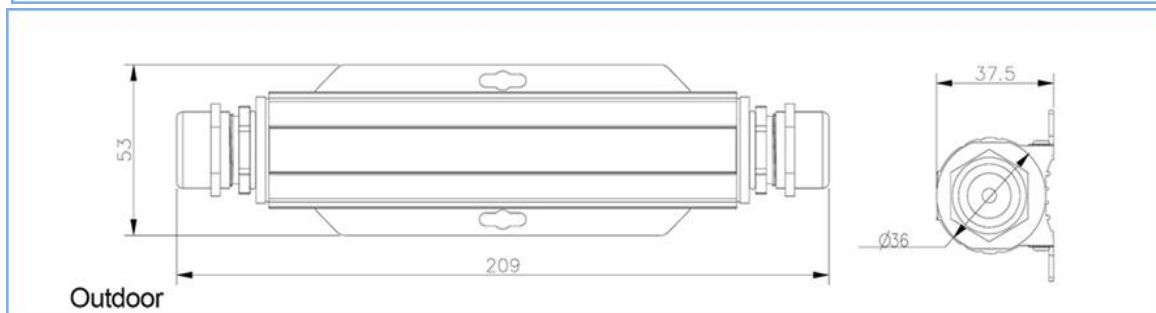
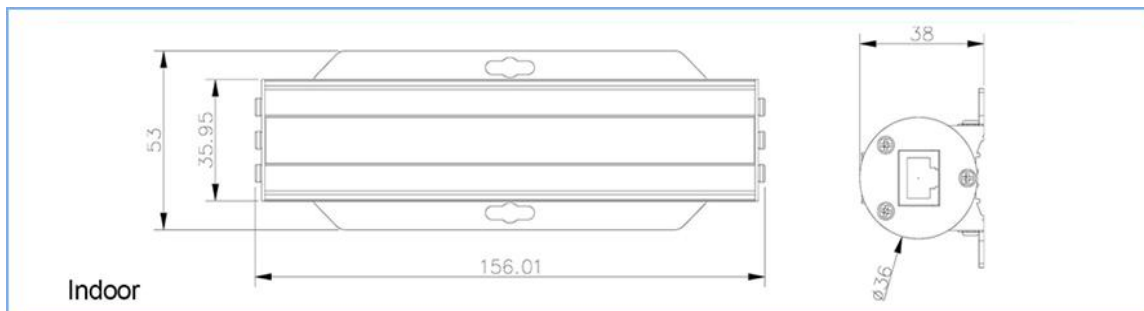
* Working temperature: -40°C to +65°C (-40°F ~ +149°F), for DIN Rail model, it is -40°C to +85°C (-40°F ~ +185°F)

* 10KV lightning protection and peak surge current of 20KA.

* 10/100/1000Mbps and 10GbE data speed versions.

* 5-Year Warranty.

Model	IP Rating	Input	Max Operating DC Current	Data Speed	Indoor/Outdoor
PT-PR01G	40	44-57VDC(Max 60Vdc)	1.36A for 4 pairs, (maximum 60W)	10/100/1000Mbps	Indoor
PT-PR01GB	40	44-57VDC(Max 60Vdc)	1.0A for 2 pairs, 2.0A for 4 pairs (maximum 100W)	10/100/1000Mbps	Indoor
PT-PR01B-10G	40	44-57VDC(Max 60Vdc)	1.0A for 2 pairs, 2.0A for 4 pairs (maximum 100W)	10GbE	Indoor
PT-PR01G-OT	67	44-57VDC(Max 60Vdc)	0.68A for 2 pairs, 1.36A for 4 pairs (maximum 60W)	10/100/1000Mbps	Outdoor
PT-PR01GB-OT	67	44-57VDC(Max 60Vdc)	1.0A for 2 pairs, 2.0A for 4 pairs (maximum 100W)	10/100/1000Mbps	Outdoor
PT-PR01B-10G-OT	67	44-57VDC(Max 60Vdc)	1.0A for 2 pairs, 2.0A for 4 pairs (maximum 100W)	10GbE	Outdoor
PT-PR01G-DIN	40, Zinc alloy	44-57VDC(Max 60Vdc)	1.0A for 2 pairs, 2.0A for 4 pairs (maximum 110W)	10/100/1000Mbps	Indoor, DIN Rail
PT-PR01G-10-DIN	40, Zinc alloy	44-57VDC(Max 60Vdc)	1.0A for 2 pairs, 2.0A for 4 pairs (maximum 110W)	10GbE	Indoor, DIN Rail





Procet PoE Extender Series

The PoE Extender Series devices are industrial grade PoE extenders with an aluminium alloy shell.

*Working Temperature specification of -40°C to $+65^{\circ}\text{C}$ (-40°F ~ 149°F) and up to 6KV lightning protection.

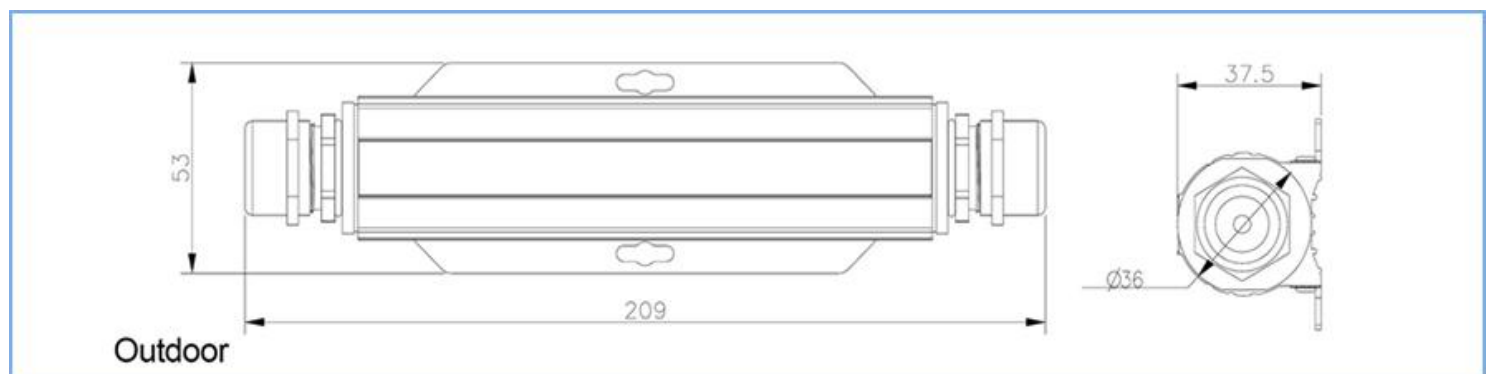
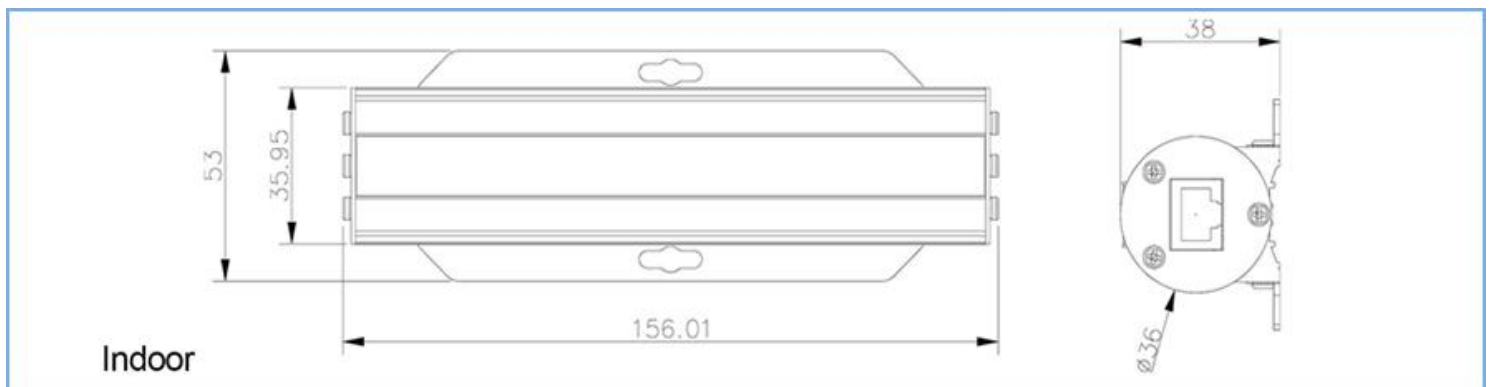
* The total effective distance from PoE injector to PD is 200 meters using CAT5e/CAT6 cables without local power.

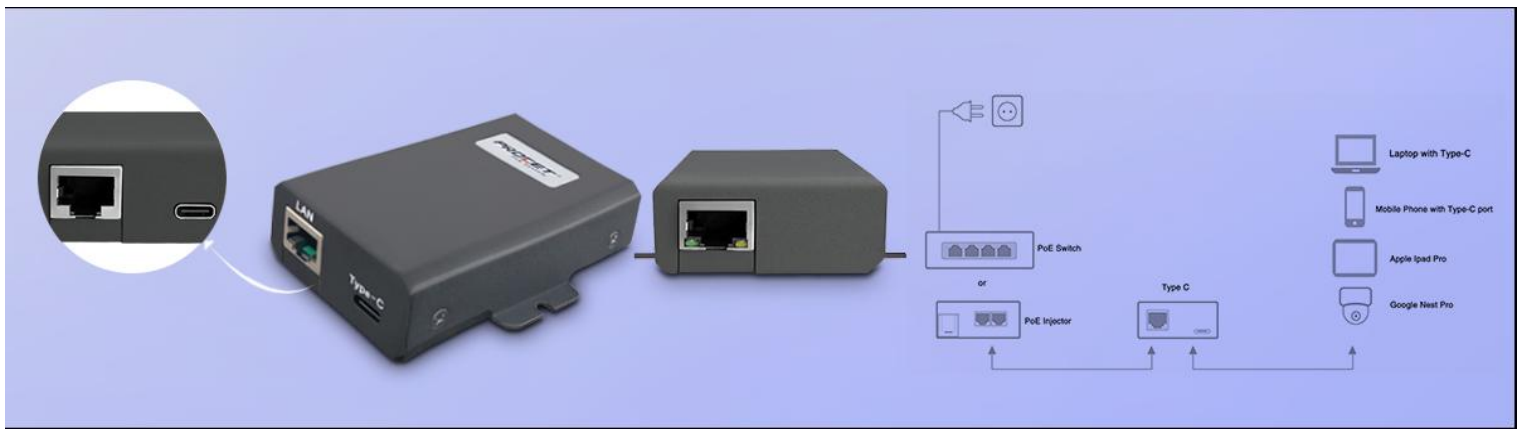
* Distances of 500 meters can be achieved with the use of 4 devices.

* Supports the data speeds of 10/100/1000Mbps.

* 5-Year Warranty.

Model	IP Rating	Input	Operating Voltage	Maximum Operating DC Current	Indoor/Outdoor
PT-PEX-01G	40	IEEE802.3af/at or Passive PoE++	44-57Vdc, (Max 60Vdc)	1.1A for 4 pairs, maximum 60W 802.3af/at	Indoor
PT-PEX-01GB	40	IEEE802.3af/at/bt or Passive PoE++	44-57Vdc, (Max 60Vdc)	1.4A for 4 pairs, maximum 75W 802.3af/at/PoE++	Indoor
PT-PEX-01G-OT	67	IEEE802.3af/at or Passive PoE++	44-57Vdc, (Max 60Vdc)	1.1A for 4 pairs, maximum 60W 802.3af/at	Outdoor
PT-PEX-01GB-OT	67	IEEE802.3af/at/bt or Passive PoE++	44-57Vdc, (Max 60Vdc)	1.4A for 4 pairs, maximum 75W	Outdoor
PT-PEX-01GB-OT	67	802.3bt/PoE++/ Passive PoE 95W(Max)	44-57Vdc, (Max 60Vdc)	Output:55Vdc/0.92A(Max) per port, total 90W, 802.3af/at/PoE++	Outdoor Dual Port





Procet PoE Splitter Type-C Series

The Type-c series PoE Splitters are networking converters, enclosed in an IP40 High-impact metal casing.

* Includes a PoE port for 802.3at/bt standard input, a Type-C port for power output and a RJ45 port for data output.

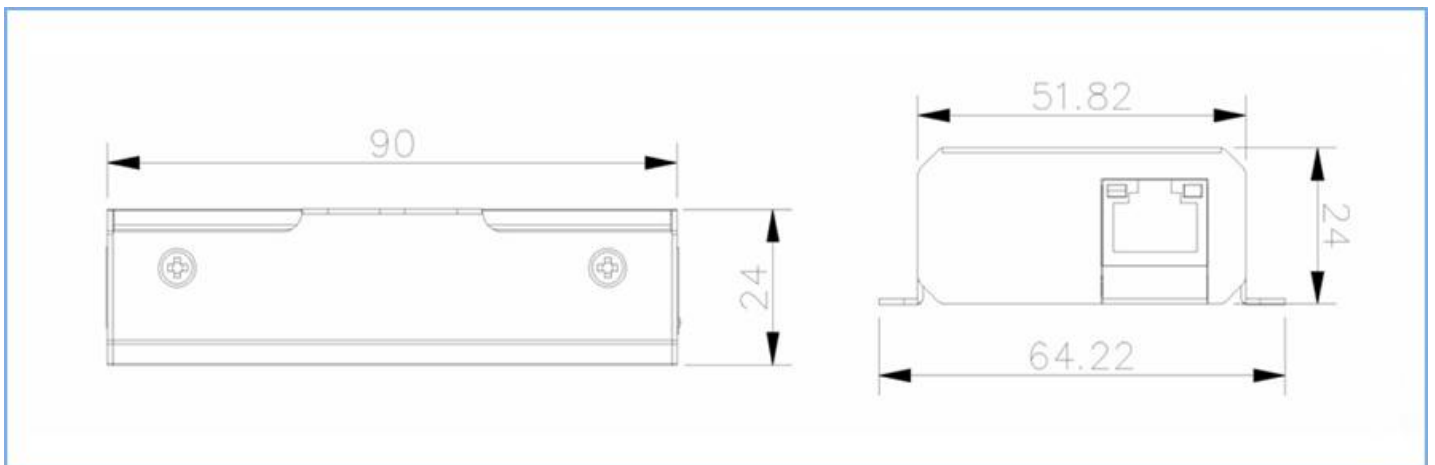
* Designed with OVP,OCP, SCP for compatibility with Type-C devices such as computers, IPad,Macbook, Google Wifi and others.

* Auto negotiate USB-C devices with Type-C detecting chip

* Working temperature : 0°C to 40°C.

* Data speeds of 10/100/1000Mbps.

Model	Input	Input Power Pin	Output	Power	Port	Data Speed
PT-PTC-AT	IEEE802.3at	4/5+,7/8-	5V-20V	25W	TypeC+RJ45	10/100/1000Mbps
PT-PTC-BT	IEEE802.3bt	1/2-,3/6+ and 4/5+,7/8-	5V-20V	60W	TypeC+RJ45	10/100/1000Mbps





Procet PoE Splitter Series

The PoE Splitter series devices are enclosed in an IP40 High-impact metal casing. (PT-PD208G-5/9/12 has a plastic shell)

- * Supports IEEE802.3af/at/Bt or PoE++ standard PSE or PoE Switch or Passive PoE input.
- * Designed to deliver power and signal to non-PoE device.
- * Available in 0°C to +40°C or -40°C to +65°C (-40°F~ 149°F), working temperature models.
- * Electrical isolated design.
- * Up to 94% efficiency on some models.
- * Data speeds of 10/100 /1000Mbps.

Model	Input	Input Power Pin	Output	Port	Working Temperature	Data Speed
PT-PD208G-5/9/12	IEEE802.3af or Passive PoE 48Vdc 0.5A	1/2-,3/6+	5V or 9V or 12V	RJ45+2.0mm Jack	0°C to +40°C	10/100/1000Mbps
PT-PD208GM-5/9/12/24	IEEE802.3at or Passive PoE 48Vdc 1.0A	1/2-,3/6+ and 4/5+,7/8-	5V or 9V or 12V or 24V	RJ45+Terminal block	0°C to +40°C	10/100/1000Mbps
PT-PD208GMO-5/12/24	IEEE802.3at or Passive PoE 48Vdc 1.0A	1/2-,3/6+ and 4/5+,7/8-	5V or 12V or 24V	RJ45+Terminal block	-40°C to +65°C	10/100/1000Mbps
PT-PD208GB-5/12/24	IEEE802.3bt or Passive PoE at 60W	1/2-,3/6+ and 4/5+,7/8-	5V or 12V or 24V	RJ45+Terminal block	0°C to +40°C	10/100/1000Mbps
PT-PD208GBO-5/12/24	IEEE802.3bt or Passive PoE at 60W	1/2-,3/6+ and 4/5+,7/8-	5V or 12V or 24V	RJ45+Terminal block	-40°C to +65°C	10/100/1000Mbps
PT-PD208GBH-5/12/24	IEEE802.3bt or Passive PoE at 90W	1/2-,3/6+ and 4/5+,7/8-	5V or 12V or 24V	RJ45+Terminal block	0°C to +40°C	10/100/1000Mbps
PT-PD208GBHO-5/12/24	IEEE802.3bt or Passive PoE at 90W	1/2-,3/6+ and 4/5+,7/8-	5V or 12V or 24V	RJ45+Terminal block	-40°C to +65°C	10/100/1000Mbps

