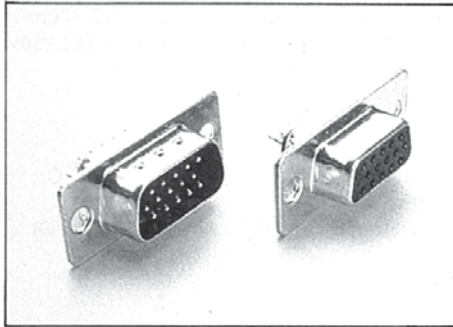


# 164 SERIES

## H.D. D-SUB SOLDER TYPE

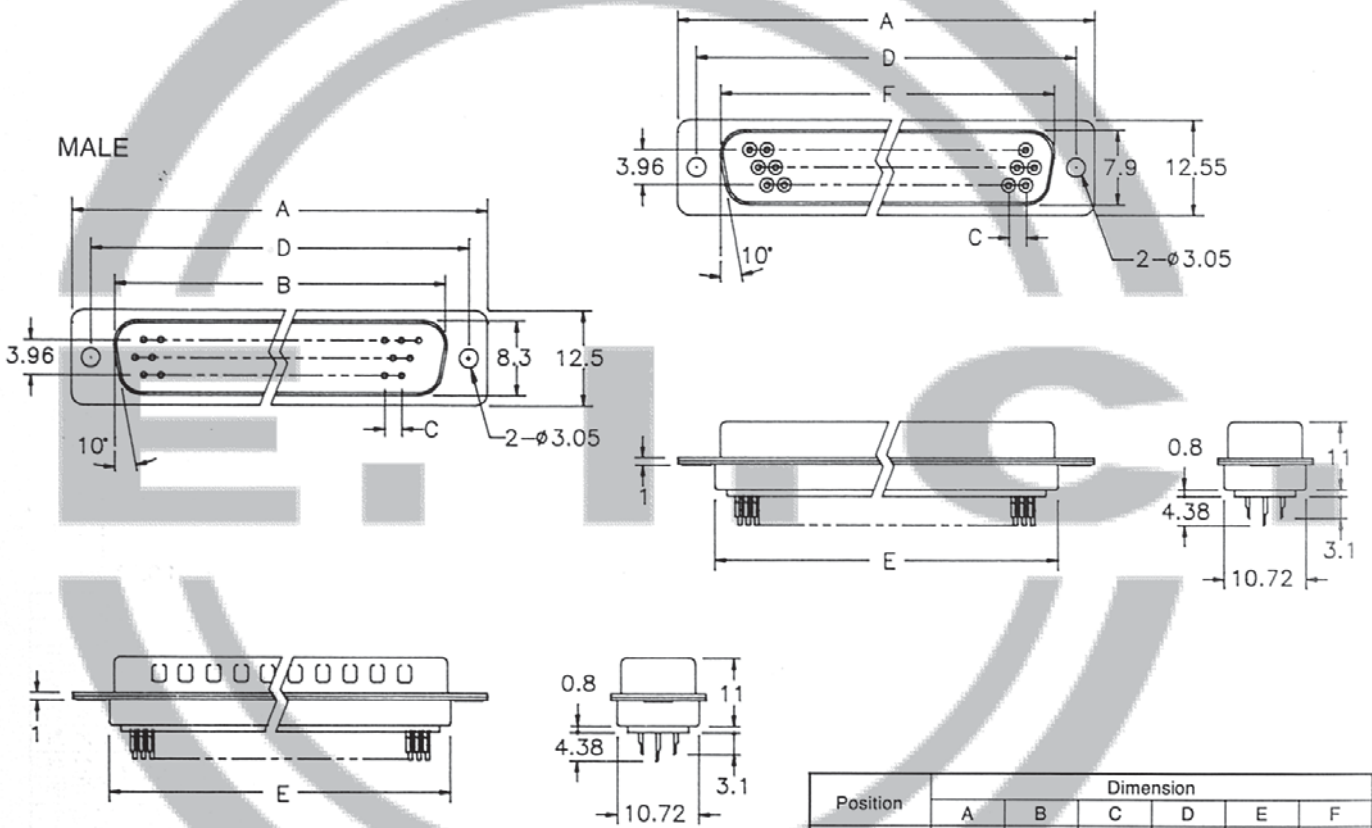


Contact Resistance: 30mΩ max. at DC 100mA  
 Insulator Resistance: 1000MΩ min. at DC 500V  
 Current Rating: 3 AMP

Dielectric Withstanding  
 Voltage: AC 1000V For 1 minute  
 Operating Temperature: -55°C ~ +105°C  
 Contact: MALE Brass  
           FEMALE Brass  
 Housing: PBT & 30% Glass Fiber (UL 94V-0)

### FEMALE

### MALE



| Position | Dimension |      |      |       |      |      |
|----------|-----------|------|------|-------|------|------|
|          | A         | B    | C    | D     | E    | F    |
| 15       | 30.8      | 16.9 | 2.29 | 24.99 | 19.3 | 16.3 |
| 26       | 39.1      | 25.3 | 2.29 | 33.32 | 27.5 | 24.7 |
| 44       | 53.0      | 39.0 | 2.29 | 47.04 | 41.3 | 38.4 |
| 62       | 69.3      | 55.4 | 2.41 | 63.50 | 57.7 | 54.8 |

## Ordering information

164 —   2    00  —  XX    1  

2: Gold  
 3: Half Gold

Position

1: Male  
 2: Female