

ACUMAX® sealed maintenance-free lead-acid battery AML series



AML 200-12

- uninterruptible power supplies
- telecom power supply systems
- telecommunication PABX
- power station
- fire and security systems
- solar powered systems
- emergency lighting systems
- cable TV

Technical data

Nominal voltage	12 V
Nominal capacity	200 Ah/ C ₂₀
Design life	8 years @ 25°C 10-12 years @ 20°C according to Eurobat, Long Life group
Weight	~ 61.5 kg
Dimensions	
Height	224 mm
Length	522 mm
Width	238 mm
Internal resistance	≤ 3.0 mΩ
Charging voltage @ 25°C	
Standby use	13.65 V ± 0.18 V
Cycle use	14.70 V ± 0.30 V
Charging current	
Recommended	20 A
Maximum	60 A
Max. discharge current (5s)	1600 A
Container material	
Standard	ABS UL 94-HB
Optional (Flame-retardant)	ABS UL 94-V0

Battery approved for transportation by air, sea or land. Classified as non-hazardous material: IATA/ICAO Special Provision A67, DOT-CFR Title 49 parts 171-189, IMDG amendment 27.

Constant current discharge (Current [A], 25 [°C] / 77 [°F])

U _k [V/cell]	Discharge time									
	10 min	15 min	30 min	1h	2h	3h	4h	5h	10h	20h
1,80	334	284	179	113	69,1	48,5	39,8	34,0	20,0	10,5
1,75	354	300	185	117	70,9	50,0	41,0	35,0	20,1	10,6
1,70	367	310	190	119	72,0	50,4	41,3	35,2	20,3	10,6

Constant power discharge (Power [W/cell], 25 [°C] / 77 [°F])

U _k [V/cell]	Discharge time									
	10 min	15 min	30 min	1h	2h	3h	4h	5h	10h	20h
1,75	731	638	464	265	171	117	91,2	75,4	40,5	21,2
1,70	759	661	475	269	174	118	91,9	76,0	40,8	21,3
1,65	790	685	491	277	175	119	92,5	76,0	41,0	21,3

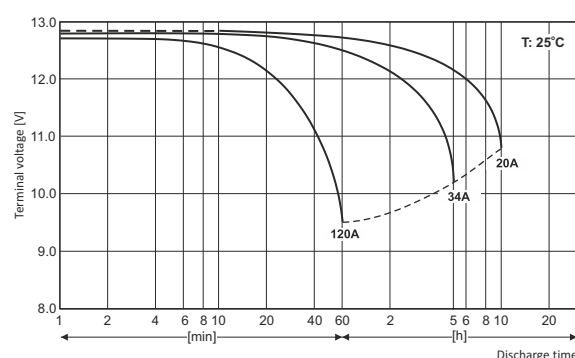
U_f - Final voltage



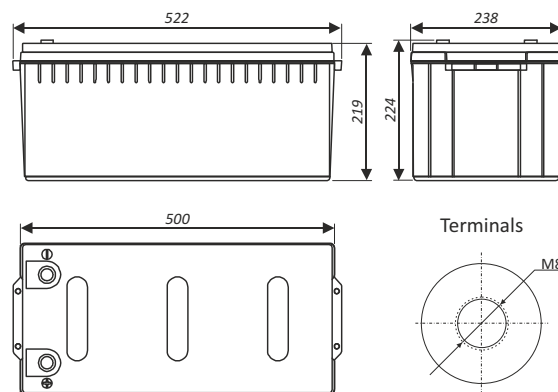
Main applications

- marine
- golf-carts, wheelchairs
- mobile and portable equipment
- medical equipment

Discharge characteristics



Dimensions



Tolerance: +/- 3mm;