

SCOPE

THE PURPOSE OF THIS SPECIFICATION IS TO DEFINE THE GENERIC OPERATIONAL, ENVIRONMENTAL, ELECTRICAL AND MECHANICAL CHARACTERISTICS OF THE " **WTE-416UV 2xAA CELL UV LED FLASHLIGHT** ".

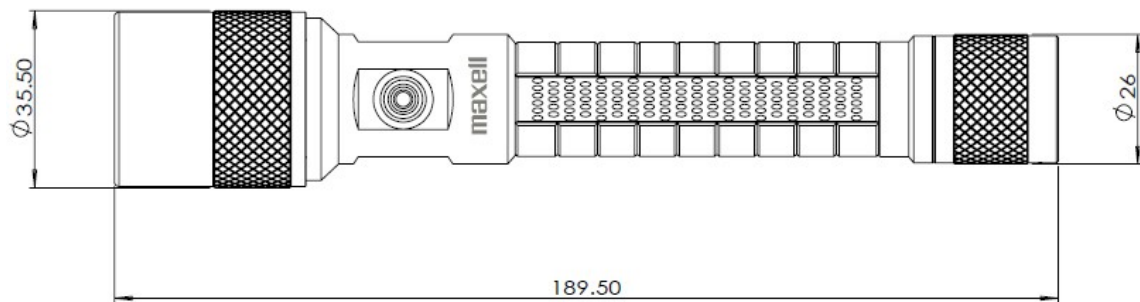
2.1 GENERAL SPECIFICATIONS

Brightness	1-1.5lumen
Wavelength	395 – 405nm (detail refer to LED chip specification)
Runtime	1.5-20hours
Modes	ON/Off
Dust & water proof level	IP44 dust & splash resistant
impact resistant	1m impact resistant
LED chip	Shenzhen Midmoon
Size:	35.5*35.5*189.5mm
Weight (without battery)	0.153kgs
Battery	2pcs x AA cell batteries
Operation current	720mA (use as power supply ,Voltage : 3V)

2.2 Mechanical Specifications

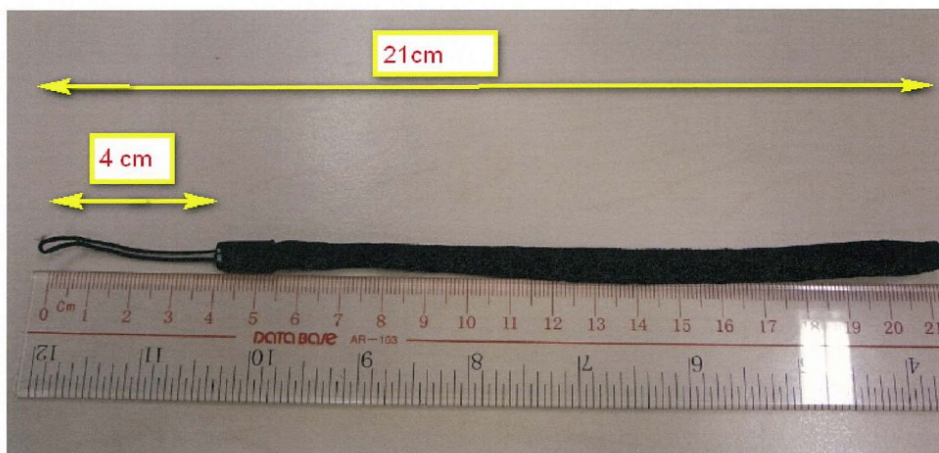
Material grade: ABS (94-HB), PC (94-HB)

The following sections explain the physical specifications for the product.



416

Hand strap: Total 210 (unit: mm) in length



3. Electrical Specifications

3.1 Environmental

Storage Temperature Range

-20 to +45°C

3.2 Power

Battery type: 2pcs x AA cell alkaline batteries

4. Environment performance

4.1 Temperature and humidity

4.1.1 High temperature storage
45 Deg.

4.1.2 Low temperature storage
-20 Deg.

4.2 Drop

1 meter drop, 6 sides drop test.

The product shall withstand the following drop conditions without damage.

No error shall occur in the operating mode.

4.3 Vibration

The product shall be subjected to sinusoidal vibration per following frequency range for 120 minutes with each axis.

5 Regulation Conformance

- CE
 - EMC
- RoHS
- REACH
- IP44

6 Contents

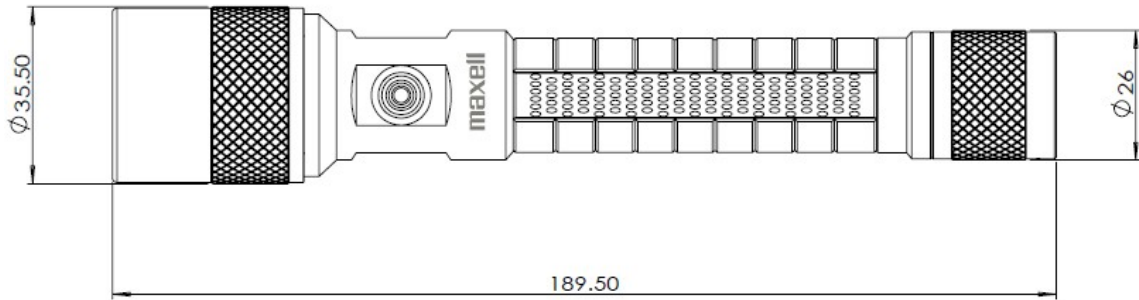
-2xAA cell flashlight x 1pcs

-maxell AA cell alkaline battery x 2pcs

-Hand strap x 1pcs

7. Customization

7.1 Laser printing



416

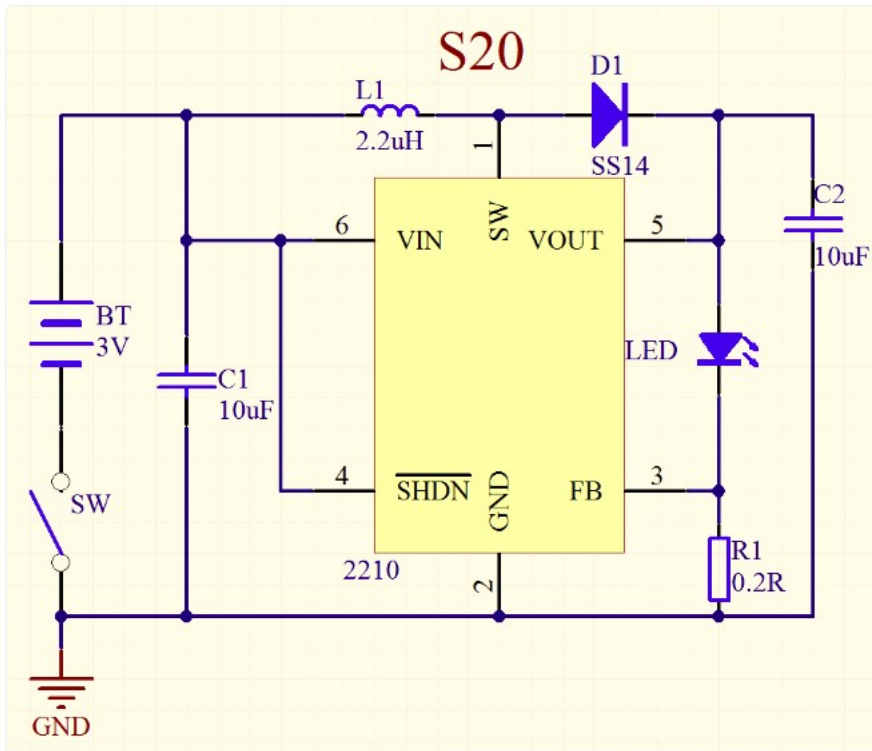
7.2 Print card



7.3
PE

bag for clamshell blister

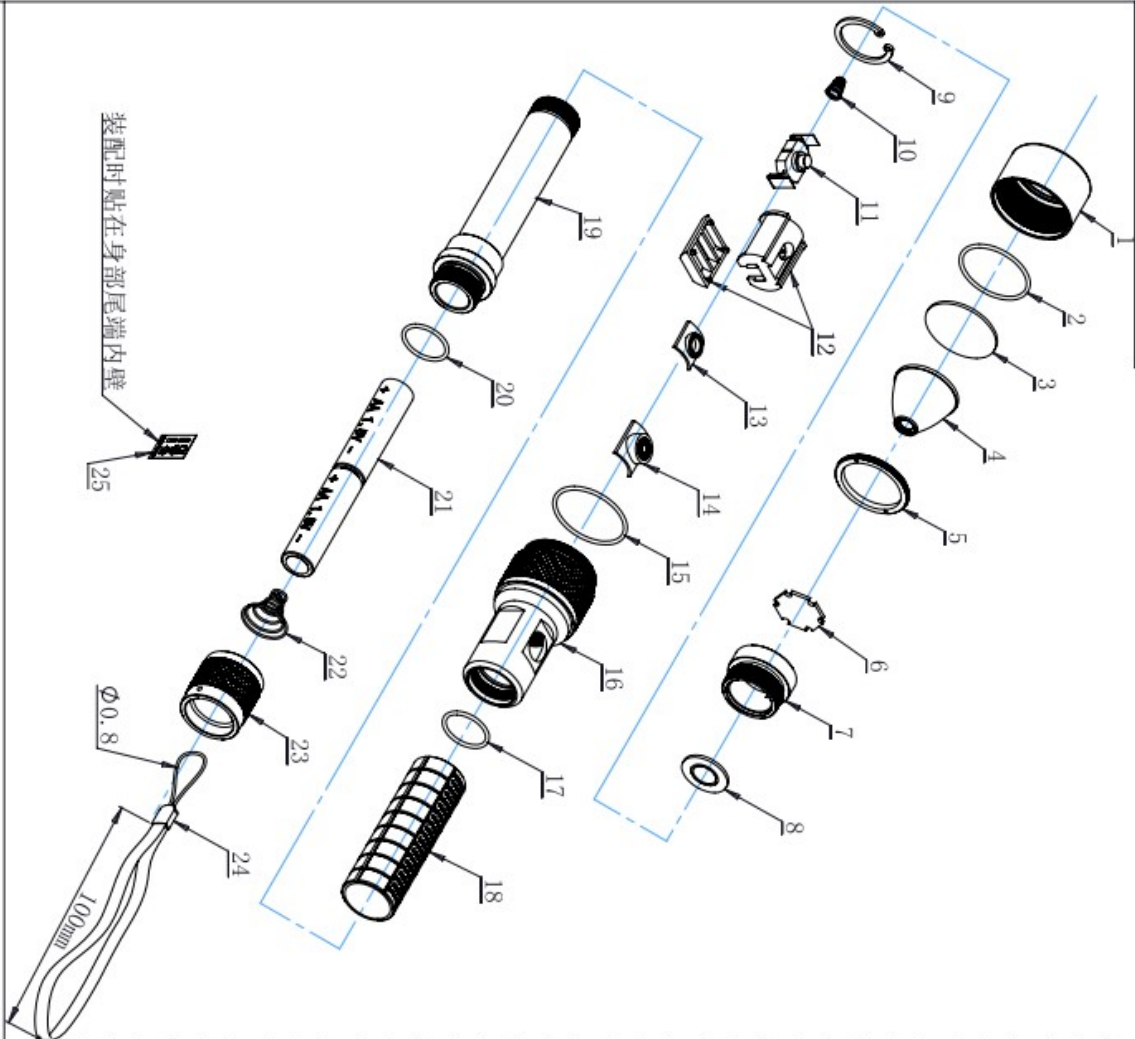
MEL1601
(Log number sticker here)



10. BOM.

10.1 Product BOM list

WTE-416UV灯爆炸图



序号	零件名称	规格	材料	用量	重量	到位时间	模具制造	工作图号
1	头圈	Φ35*20H	铝	1				
2	O型圈	Φ31*1.5	硅胶	1				
3	镜片	Φ31*1.3	PC	1				
4	*光栅	Φ27.5*21.3H	PC	1				
5	光源压圈	Φ32*2.5H	铝	1				
6	国产1-3W (UV)	S20		1				
7	电珠座	Φ27*16.5H	铝	1				
8	底座胶环, 带线, 带磁能	Φ20*1.2厚		1				
9	卡簧	Φ25*1.3厚	钢	1				
10	弹簧	Φ6*4*0.5*8H	钢丝弹簧	1				
11	开关	KAV-4B		1				
12	*开关座组件	Φ20.7*25.4H	ABS	1				
13	橡胶绝缘片	14*13.3*7.5H	ABS	1				
14	橡胶帽	Φ12*7.5H	硅胶	1				
15	O型圈	Φ28.5*1.5	硅胶	1				
16	中套	Φ35.5*67.5H	铝	1				
17	O型圈	Φ17.5*1.5	硅胶	1				
18	橡胶套	Φ22.5*19.5*70.5H	硅胶	1				
19	身部	Φ25.5*103H	铝	1				
20	O型圈	Φ17.5*1.5	硅胶	1				
21	电池	AA	碱性	2				
22	弹簧	Φ19*7*0.8*1.5H	钢丝弹簧	1				
23	尾部	Φ26*25H	铝	1				
24	尾绳	150mm长	丝	1				
25	电池标识纸	25*15	纸	1				
26								
27								
28								
29								
30								
31								
32								
33								
34								

版本	版本号	修改内容	日期	编制	设计	审核	批准	日期
	1	完成零件图及装配图并审核	2015.12.29					
	2	完成零件图及装配图并审核						
	B							

威海电器有限公司